

PART NUMBER

KCC197413

REV.

DATE

COMMENTS

INITIAL

Electrical Data

Impedance 50 Ω
 Frequency Range DC - 28 GHz.
 VSWR 1.40 Max DC-20GHz
 1.70Max 20-28GHz

Mechanical Data

Temperature Range: -55 °C - 125 °C
 2015/863/(RoHS): COMPLIANT
 1907/2006/EC(REACH) AND 1999/45/EC(REACH): COMPLIANT

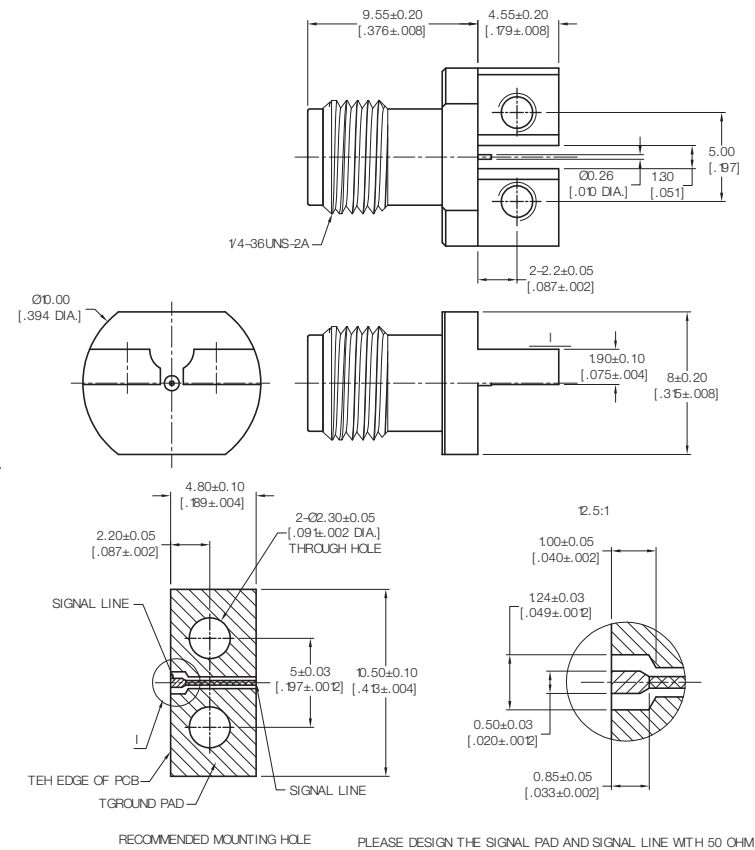
NOTES:

1. WHEN THE MATING CONNECTOR, PLEASE HOLD MILLING AREA OF 8 ± 0.20 [.315 \pm .008] WITH A WRENCH.
2. 2-64UNF-2B SCREW TIGHTENING TORQUE IS 0.23 N.M
3. PLEASE USE A PCB MOUNTING SCREW OF THE LENGTH OF L.
 THE LENGTH OF L IS PCB THICKNESS T1 + SPRING WASHER THICKNESS T2 + 2 [.079].
 PLEASE USE A SCREW WITH SPRING WASHER.

**VSWR and Frequency Range Specifications
 are for reference and are dependant on cable
 type and other application specific conditions**

Drawing not to scale. Dimensions for reference only

Units: inches (mm)

RoHS Compliant**Konnect RF**

WWW.KONNECTRF.COM
 1-800-790-5887

PART NUMBER

KCC197413

DESCRIPTION

SMA Straight Female Jack Edge Mount PC Board Receptacle

CAGE CODE

664U0

SIGNATURE

X

Component
 Body
 Center Contact
 Insulator

Material
 Brass
 BeCu
 PTFE

Plating
 Gold
 Gold

THIS DRAWING INCLUDING THE
 DESIGNS IS THE PROPERTY OF
 KONNECT RF AND IS NOT TO
 BE USED FOR ANY PURPOSE
 WITHOUT OUR APPROVAL.