

PART NUMBER

KCC197375

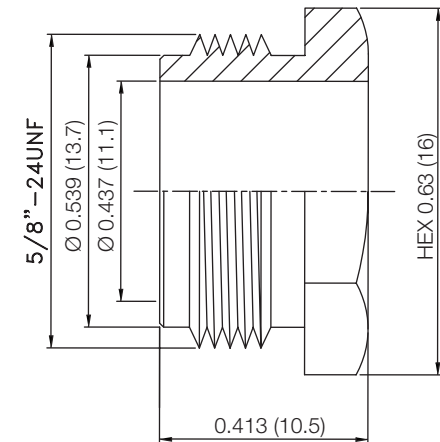
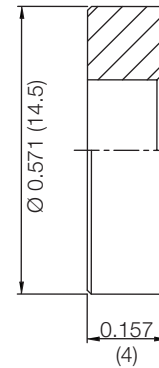
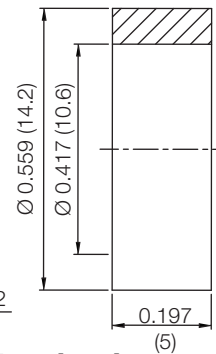
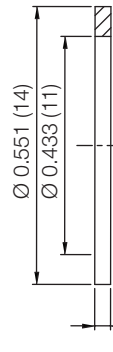
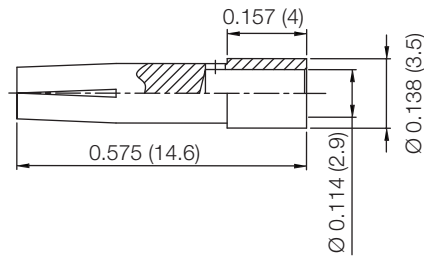
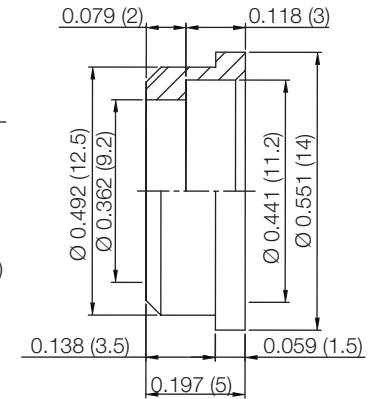
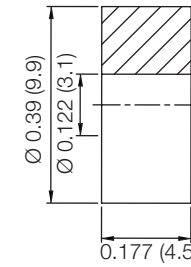
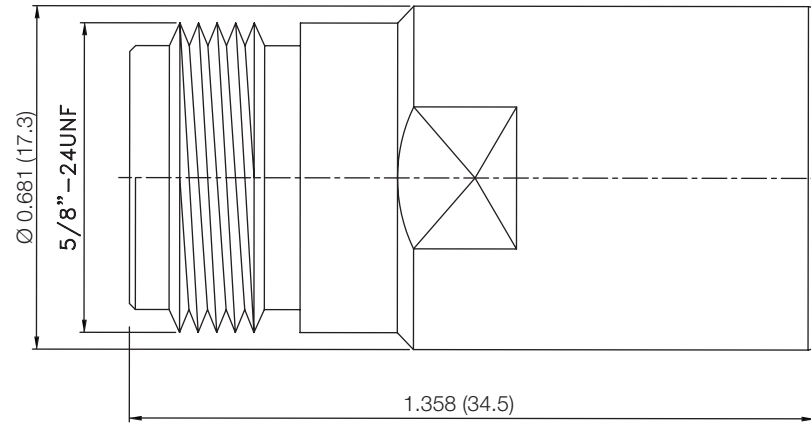
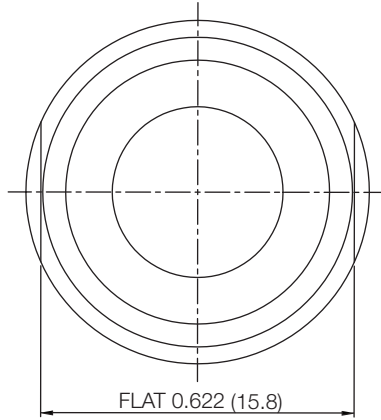
REV.

DATE

COMMENTS

INITIAL

RoHS Compliant



VSWR and Frequency Range Specifications are for reference and are dependant on cable type and other application specific conditions

Drawing not to scale. Dimensions for reference only

Units: inches (mm)

Konnect RF

WWW.KONNECTRF.COM
1-800-790-5887

PART NUMBER

KCC197375

DESCRIPTION

N Straight Female Jack, Clamp

CAGE CODE

664U0

SIGNATURE

X

Cable: RG-213 & LMR-400

Component
Body
Center Contact
Insulator

Material
Brass
Gold
PTFE

Plating
Nickel
Brass

THIS DRAWING INCLUDING THE DESIGNS IS THE PROPERTY OF KONNECT RF AND IS NOT TO BE USED FOR ANY PURPOSE WITHOUT OUR APPROVAL.