

PART NUMBER

KCC197353

REV.

DATE

COMMENTS

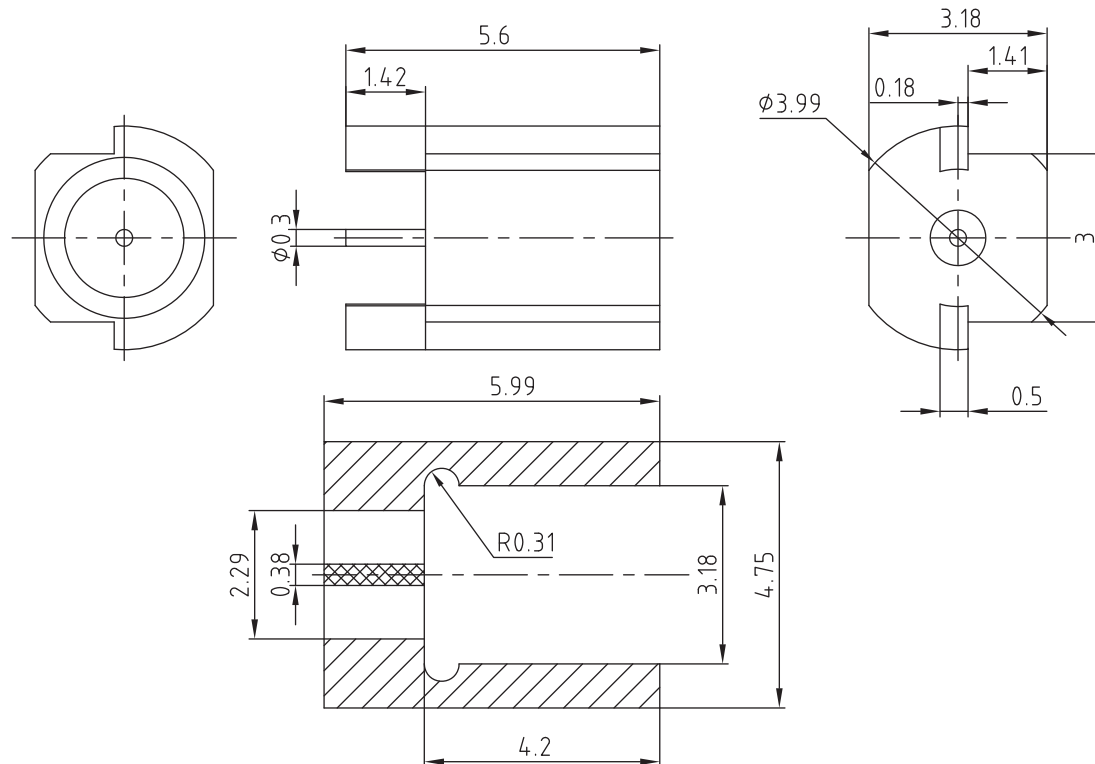
INITIAL

Electrical Data

Impedance	50 Ω
Frequency Range	DC - 12 GHz.
Insertion Loss	≤ 0.05 XSQRT [F(GHz)] dB Max
Voltage Rating	500 VRMS
Insulation Resistance	1,000 M Ω min
Dielectric Withstanding Voltage	750 VRMS min
VSWR	≤ 1.25 Max @ DC-6GHz 1.35 Max @ DC-6-12 GHz

Mechanical Data

Durability	100 Cycles Min.
Temperature Range:	-40 °C - 85 °C
Complitable With all Standard	Mail-STD-348

RoHS Compliant

Drawing not to scale. Dimensions for reference only

Units: mm

Konnect RF

WWW.KONNECTRF.COM
1-800-790-5887

PART NUMBER

KCC197353

DESCRIPTION

SMPM Female Jack, For Horizontal Applications

CAGE CODE

664U0

SIGNATURE

X

THIS DRAWING INCLUDING THE
DESIGNS IS THE PROPERTY OF
KONNECT RF AND IS NOT TO
BE USED FOR ANY PURPOSE
WITHOUT OUR APPROVAL.

Component

Body
Outer Contact
Inner Contact
Insulator

Material

Brass
Brass
BeCu
PTFE

Plating

Gold
Gold
Gold
Natural