

PART NUMBER

KCC197345

REV.

DATE

COMMENTS

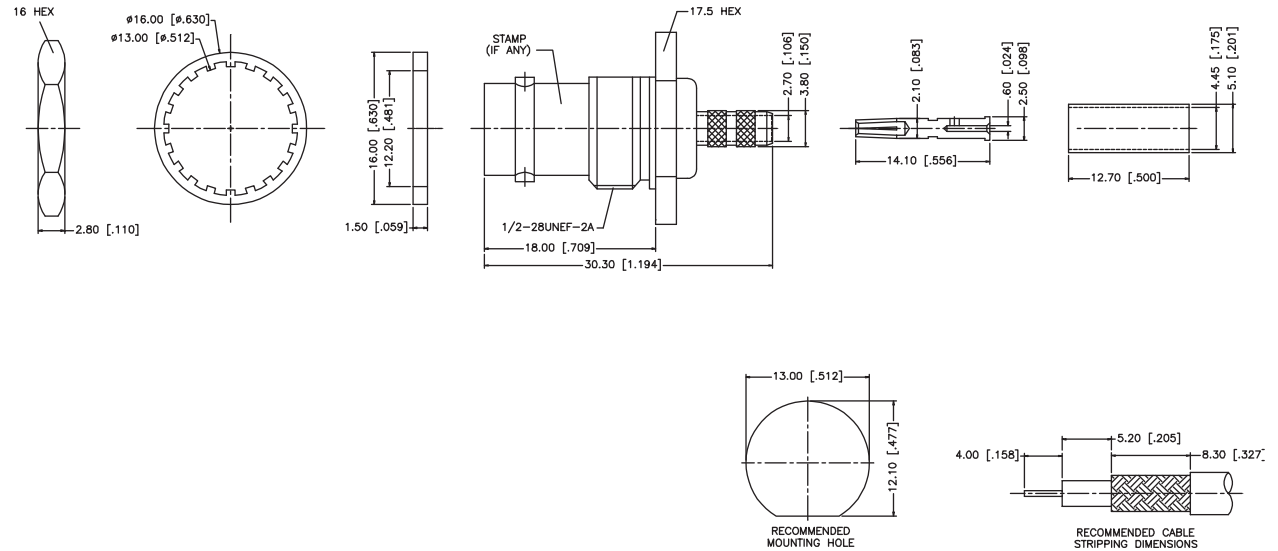
INITIAL

RoHS Compliant**Electrical Data**

Impedance 75Ω
 Frequency Range DC - 4 GHz.
 Insulation Resistance 5,000 MΩ min
 Dielectric Withstanding Voltage 1,000V Max At Sea Level

Mechanical Data

Temperature Range: -65 °C - 165 °C
 Durability 500 Cycles



VSWR and Frequency Range Specifications
 are for reference and are dependant on cable
 type and other application specific conditions

Drawing not to scale. Dimensions for reference only

Units: mm (Inches)

WWW.KONNECTRF.COM
 1-800-790-5887

PART NUMBER

KCC197345

DESCRIPTION

75 Ohm BNC Straight Bulkhead, Female Jack, Crimp

CAGE CODE

664U0

SIGNATURE

X

THIS DRAWING INCLUDING THE
 DESIGNS IS THE PROPERTY OF
 KONNECT RF AND IS NOT TO
 BE USED FOR ANY PURPOSE
 WITHOUT OUR APPROVAL.

Cable Types: Belden 8218

Component
 Body
 Center Contact
 Insulator

Material
 Brass
 Phos. Bronze
 PTFE

Plating
 Nickel
 Gold