

PART NUMBER

**KCC197295**

REV.

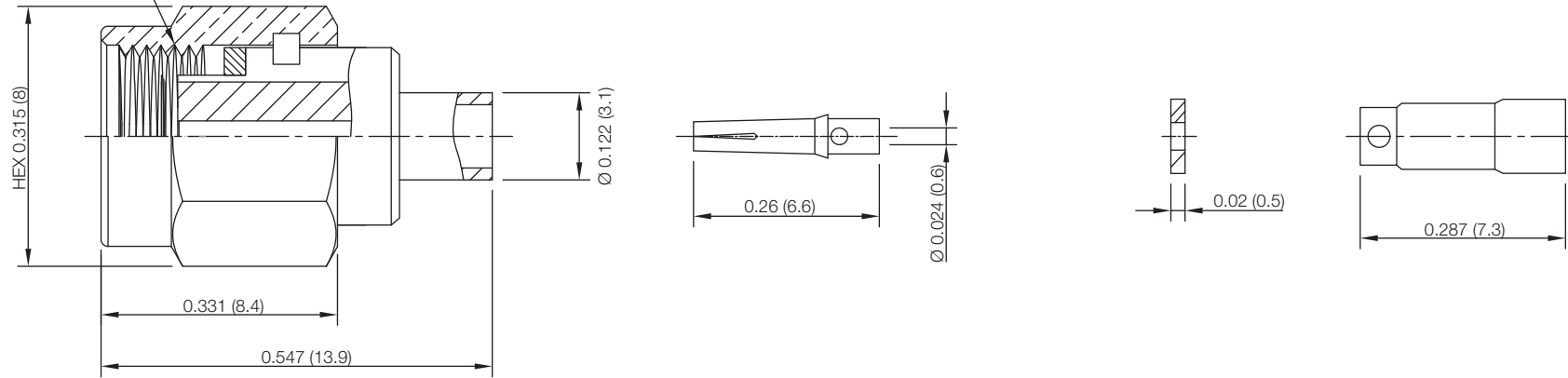
DATE

COMMENTS

INITIAL

RoHS Compliant

1/4-36UNS-2B



**VSWR and Frequency Range Specifications  
are for reference and are dependant on cable  
type and other application specific conditions**

**Drawing not to scale. Dimensions for reference only**

**Units: inches (mm)**

# Konnect RF

**WWW.KONNECTRF.COM**  
**1-800-790-5887**

PART NUMBER

**KCC197295**

DESCRIPTION

**SMA Straight Male Plug Reverse Polarity, Crimp/Clamp**

CAGE CODE

**664U0**

SIGNATURE

X

THIS DRAWING INCLUDING THE  
DESIGNS IS THE PROPERTY OF  
KONNECT RF AND IS NOT TO  
BE USED FOR ANY PURPOSE  
WITHOUT OUR APPROVAL.

**Cable Types:** 0.81mm (KRC177281)

**Component**  
Body  
Center Contact  
Insulator  
Ferrule  
C-Ring  
O-Ring

**Material**  
Brass  
BeCu  
PTFE  
Brass  
BeCu  
Silicone Rubber

**Plating**  
Gold  
Gold  
White Bronze