

PART NUMBER

KCC197250

REV.

DATE

COMMENTS

INITIAL

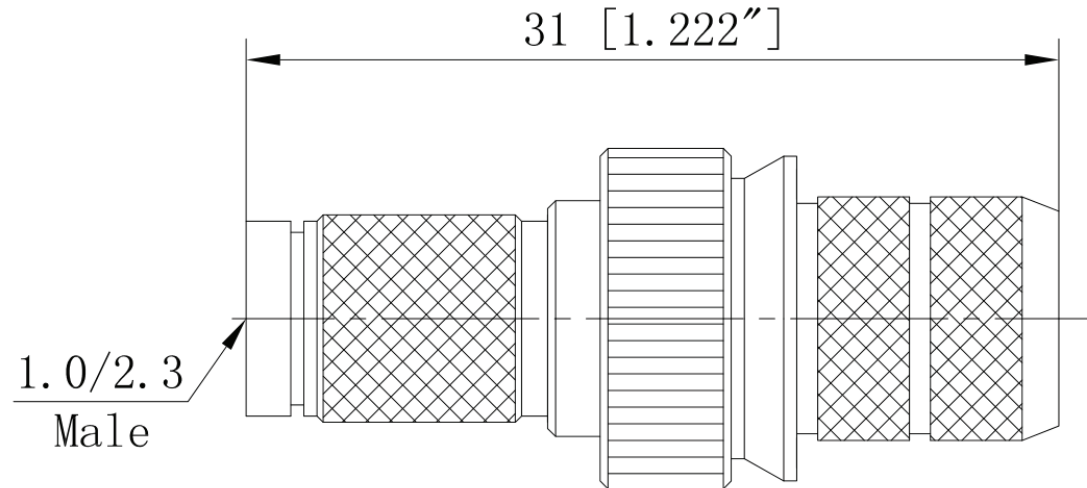
Electrical Data

Impedance 50 Ω
 Frequency Range DC - 4 GHz.
 Insulation Resistance $\geq 5000 M\Omega$
 Dielectric Withstanding Voltage 1000 VRMS

RoHS Compliant

Mechanical Data

Durability 500 Cycles
 Temperature Range: -45 °C - 85 °C



**VSWR and Frequency Range Specifications
 are for reference and are dependant on cable
 type and other application specific conditions**

Drawing not to scale. Dimensions for reference only

Units: mm (inches)

**WWW.KONNECTRF.COM
 1-800-790-5887**

PART NUMBER

KCC197250

DESCRIPTION

1.0-2.3DIN Straight Male Plug, Crimp

CAGE CODE

664U0

SIGNATURE

X

Cable: LMR-400

Component
 Body
 Center Contact
 Insulator

Material
 Brass
 Brass
 PTFE

Plating
 White Bronze
 Gold

THIS DRAWING INCLUDING THE
 DESIGNS IS THE PROPERTY OF
 KONNECT RF AND IS NOT TO
 BE USED FOR ANY PURPOSE
 WITHOUT OUR APPROVAL.