

PART NUMBER

KCC197188

REV.

DATE

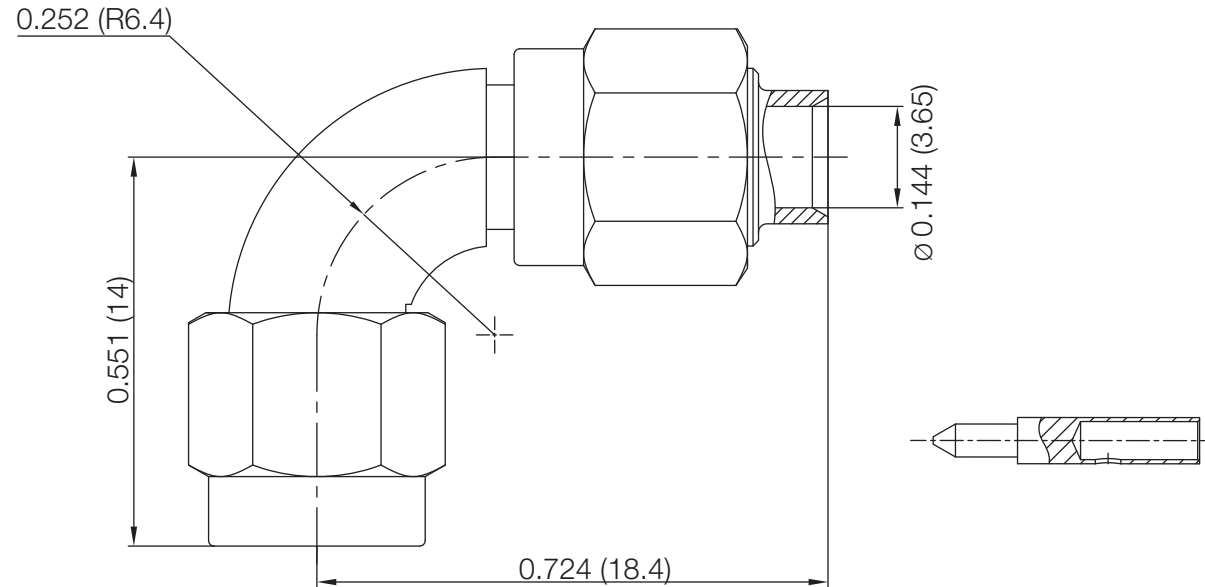
COMMENTS

INITIAL

Electrical Data

Impedance 50 Ω
 Frequency Range DC - 18 GHz.
 Insertion Loss $-0.1X\sqrt{f}$ (dB,f/GHz)

Insulation Resistance $\geq 5,000M\Omega$
 Dielectric Withstanding Voltage 1,000 VRMS
 VSWR ≤ 1.45

RoHS Compliant

VSWR and Frequency Range Specifications are for reference and are dependant on cable type and other application specific conditions

Drawing not to scale. Dimensions for reference only

Units: inches (mm)

Konnnect RF

WWW.KONNECTRF.COM
 1-800-790-5887

PART NUMBER

KCC197188

DESCRIPTION

SMA 90 Degree Radius Swept Male Plug Crimp

CAGE CODE

664U0

SIGNATURE

X

Cable Types: RG58C/U, 142/U, RG142A/U, 223/U**Component**

Body
 Center Contact
 Insulator

Material

Stainless Steel
 Bronze
 PTFE

Plating/Finish

Passivated
 Gold

THIS DRAWING INCLUDING THE DESIGNS IS THE PROPERTY OF KONNECT RF AND IS NOT TO BE USED FOR ANY PURPOSE WITHOUT OUR APPROVAL.