

PART NUMBER

**KCC197184**

REV.

DATE

COMMENTS

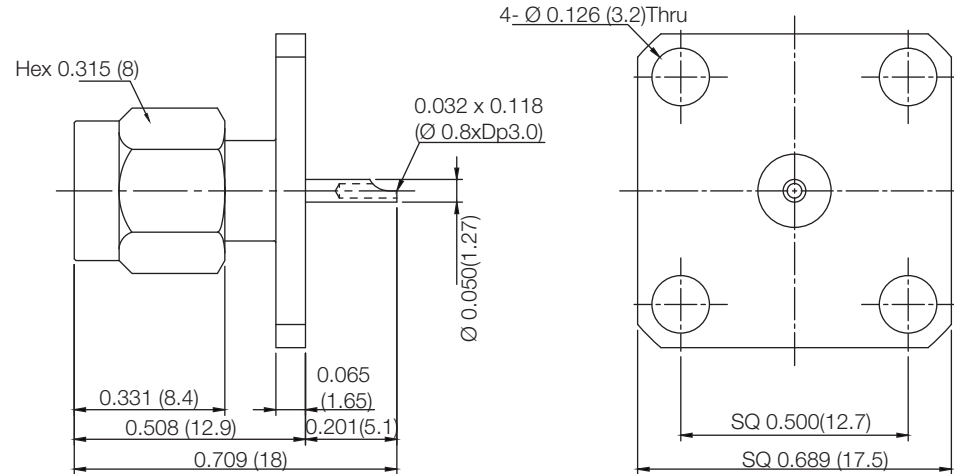
INITIAL

**Electrical Data**

Impedance	50 $\Omega$
Frequency Range	DC - 18 GHz.
Insertion Loss	0.05/ f(GHz)dB
Voltage Rating	500 max
Insulation Resistance	5,000M $\Omega$
Dielectric Withstanding Voltage	750 VRMS
RF leakage	-60dBm Min. between 2-3GHz

**Mechanical Data**

Operating Temperature Range:	-65 °C - 165 °C
Mating Cycles	500 Matings

**RoHS Compliant**

Drawing not to scale. Dimensions for reference only

Units: inches (mm)

**Konnect RF**

WWW.KONNECTRF.COM  
1-800-790-5887

PART NUMBER

**KCC197184**

DESCRIPTION

**SMA Straight Male Plug Receptacle,  
4 Hole Flange Mount, Solder Pot**

CAGE CODE

**664U0**

SIGNATURE

X

THIS DRAWING INCLUDING THE  
DESIGNS IS THE PROPERTY OF  
KONNECT RF AND IS NOT TO  
BE USED FOR ANY PURPOSE  
WITHOUT OUR APPROVAL.

**Component**

Body & Coupling Cap  
Center Contact  
Insulator

**Material**

Brass  
Brass  
PTFE

**Plating**

Gold  
Gold