

PART NUMBER

KCC197154

REV.

DATE

COMMENTS

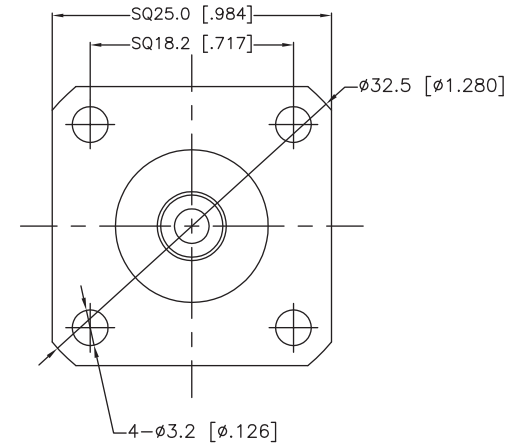
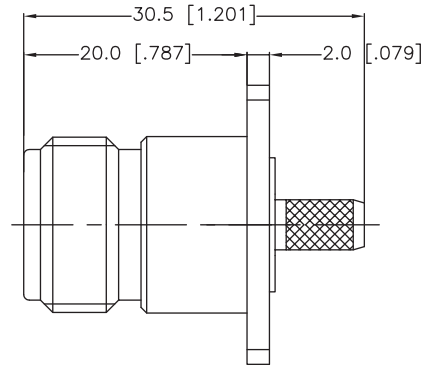
INITIAL

Electrical Data

Impedance 50Ω
 Frequency Range DC - 11 GHz.
 Insulation Resistance 5,000MΩ Min
 Dielectric Withstanding Voltage 1,000V Max At Sea Level

RoHS Compliant**Mechanical Data**

Temperature Range: -65 °C - 165 °C



**VSWR and Frequency Range Specifications
 are for reference and are dependant on cable
 type and other application specific conditions**

Drawing not to scale. Dimensions for reference only

Units: mm (Inches)

WWW.KONNECTRF.COM
 1-800-790-5887

PART NUMBER

KCC197154

DESCRIPTION

N Straight Female Jack, 4 Hole Flange Mount , Crimp

CAGE CODE

664U0

SIGNATURE

X

Cable Types: RG-142 & 223

Component
 Body
 Center Contact
 Insulator

Material
 Brass
 BeCu
 PTFE

Plating
 White Bronze
 Gold

THIS DRAWING INCLUDING THE
 DESIGNS IS THE PROPERTY OF
 KONNECT RF AND IS NOT TO
 BE USED FOR ANY PURPOSE
 WITHOUT OUR APPROVAL.