

PART NUMBER

KCC197139

REV.

DATE

COMMENTS

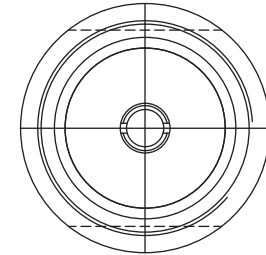
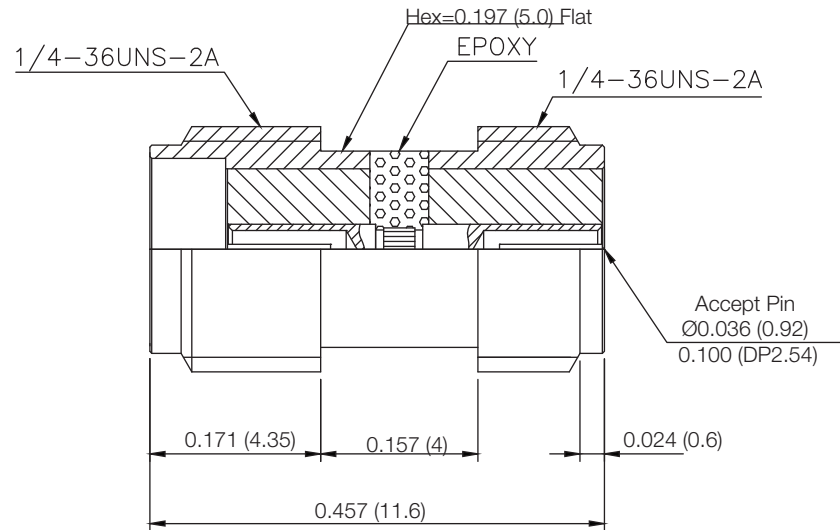
INITIAL

Electrical Data

Impedance	50 Ω
Frequency Range	DC - 18 GHz.
Working Voltage	335 VRMS max
Contact Resistance	< 3 mΩ
Insulation Resistance	5,000MΩ min
Dielectric Withstanding Voltage	1,000V min
VSWR	1.20 @ 18GHz

Mechanical Data

Durability	500 Cycles
Temperature Range:	-65 °C - 165 °C

RoHS Compliant

Drawing not to scale. Dimensions for reference only

Units: inches (mm)

Konnect RF

WWW.KONNECTRF.COM
1-800-790-5887

PART NUMBER

KCC197139

DESCRIPTION

**SMA Straight, Female Jack Receptacle,
Bulkhead, Accept Pin Epoxy Captivated**

CAGE CODE

664U0

SIGNATURE

X

THIS DRAWING INCLUDING THE
DESIGNS IS THE PROPERTY OF
KONNECT RF AND IS NOT TO
BE USED FOR ANY PURPOSE
WITHOUT OUR APPROVAL.

Component

Body
Center Contact
Insulator

Material

Stainless Steel
BeCu
PTFE

Plating/Finish

Passivated
Gold