

PART NUMBER

KCC197110

REV.

DATE

COMMENTS

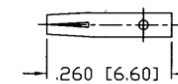
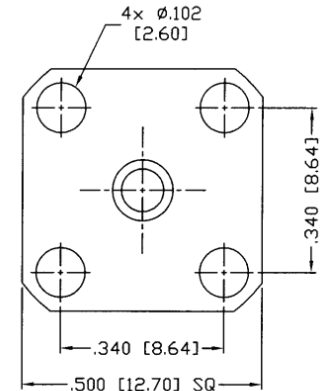
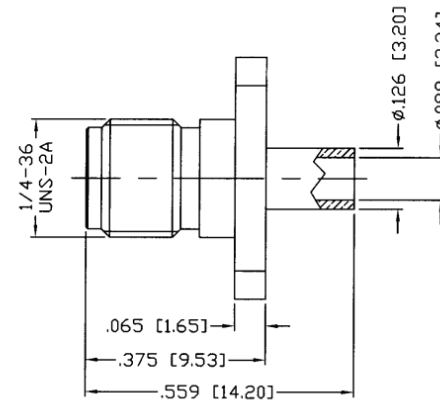
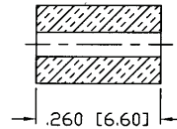
INITIAL

Electrical Data

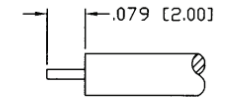
Impedance	50 Ω
Frequency Range	DC - 18 GHz.
Insertion Loss	0.03dB x \sqrt{f} (GHz)
Insulation Resistance	5,000M Ω min
VSWR	1.3 Max

Mechanical Data

Temperature Range: -65 °C - 165 °C

RoHS Compliant

Solder Only



Recommended Stripping Dimensions

VSWR and Frequency Range Specifications are for reference and are dependant on cable type and other application specific conditions

Drawing not to scale. Dimensions for reference only

Units: inches (mm)

Konnect RF

WWW.KONNECTRF.COM
1-800-790-5887

PART NUMBER

KCC197110

DESCRIPTION

SMA Straight Female Jack, 4 Hole Flange Mount , Solder

CAGE CODE

664U0

SIGNATURE

X

Cable Types: .085 S/R (RG-405)

Component
Body
Center Contact
Insulator

Material
Brass
BeCu
PTFE

Plating
Nickel
Gold

THIS DRAWING INCLUDING THE DESIGNS IS THE PROPERTY OF KONNECT RF AND IS NOT TO BE USED FOR ANY PURPOSE WITHOUT OUR APPROVAL.