

PART NUMBER

KCC197107

REV.

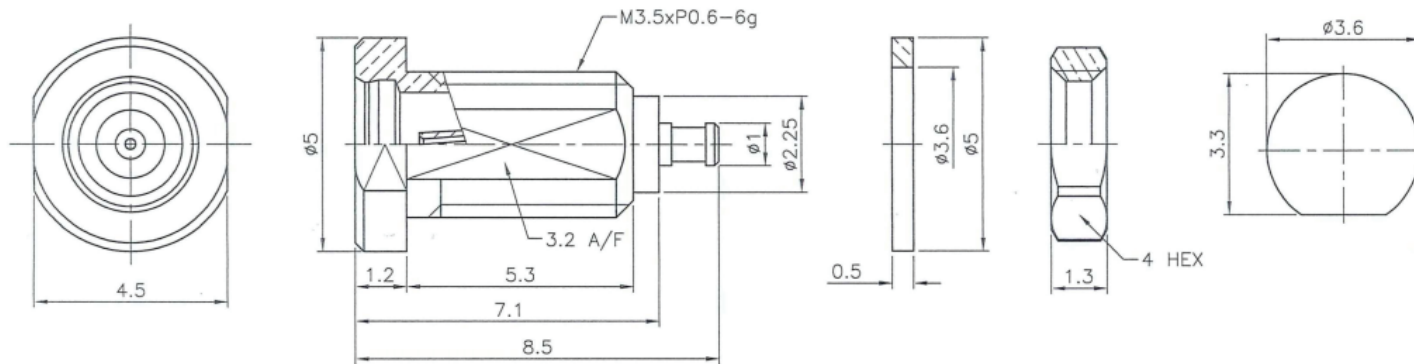
DATE

COMMENTS

INITIAL

Electrical DataImpedance 50 Ω **Mechanical Data**

Max Panel Thickness 2.5mm

RoHS Compliant

Drawing not to scale. Dimensions for reference only

Units: mm

Konnect RFWWW.KONNECTRF.COM
1-800-790-5887

PART NUMBER

KCC197107

CAGE CODE

664U0

SIGNATURE

X

THIS DRAWING INCLUDING THE DESIGNS IS THE PROPERTY OF KONNECT RF AND IS NOT TO BE USED FOR ANY PURPOSE WITHOUT OUR APPROVAL.

DESCRIPTION

MMCX Straight Female Jack Receptacle, Bulkhead, Turrett Contact**Component**

Body ,Nut & Washer

Material

Brass PER QQ-B-626

Plating

Gold PL 3 MIN Over Nickel PL 70 Min Thick Over Copper Strike

Center Contact

BeCu PER QQ-C-530

Gold PL 30 MIN Over Nickel PL 70 MIN Thick Over Copper Strike

Insulator

PTFE

White