

PART NUMBER

KCC197101

REV.

DATE

COMMENTS

INITIAL

Electrical Data

Impedance	50 Ω
Frequency Range	DC - 18 GHz
Contact Current	DC 2.0A max
Working Volatage	335Vrms Max
Insertion Loss	0.05 \sqrt{f} (GHz)dB
Contact Resistance	
Center	3.0 m Ω
Outer	2.5 m Ω
Insulation Resistance	5,000 M Ω min
VSWR	\leq 1.21 @18GHz
RF Leakage	-60dBm min. between 2-3GHz

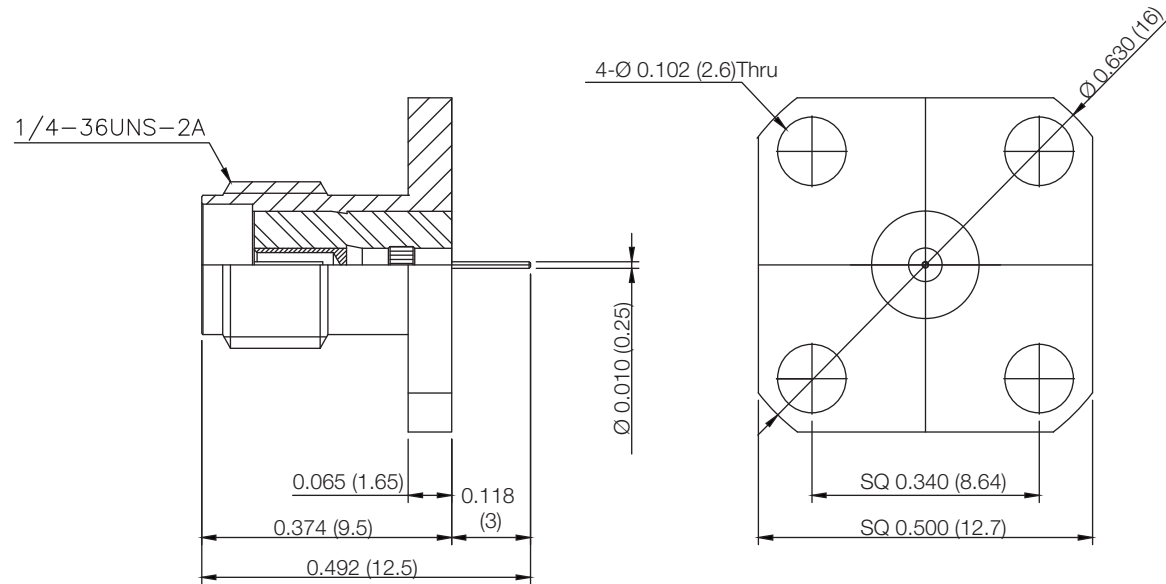
Mechanical Data

Coupling Nut Torque	12Ncm-140Ncm
Coupling Nut Retention Force	\geq 200N
Life	500 matings
Contact Captivation	\geq 27N
**Per MIL-STD-348 and MIL-PRF-39012	

Environmental Data

Temperature Range	-65 $^{\circ}$ C - 125 $^{\circ}$ C
Corrosion Resistance	MIL-STD-202, Method 101, Condition B.
Moisture Resistance	MIL-STD-202, Method 106
Thermal Shock	MIL-STD-202, Method 107, Condition B
Vibration	MIL-STD-202, Method 204, Condition D
Shock	MIL-STD-202, Method 213, Condition I

RoHS Compliant



Drawing not to scale. Dimensions for reference only

Units: inches (mm)

Konnect RF

WWW.KONNECTRF.COM
1-800-790-5887

PART NUMBER

KCC197101

DESCRIPTION

**SMA Straight Female Jack Receptacle,
4 Hole Flange Mount, Round Post**

CAGE CODE

664U0

SIGNATURE

X

THIS DRAWING INCLUDING THE
DESIGNS IS THE PROPERTY OF
KONNECT RF AND IS NOT TO
BE USED FOR ANY PURPOSE
WITHOUT OUR APPROVAL.

Component

Body
Center Contact
Insulator

Material

Stainless Steel
BeCu
PTFE

Plating/Finish

Passivated
Gold