

PART NUMBER

KCC197075

REV.

DATE

COMMENTS

INITIAL

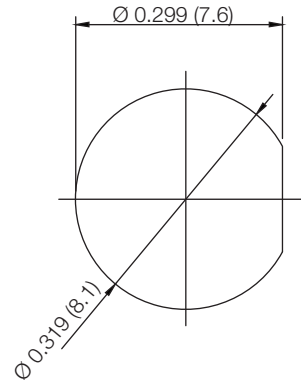
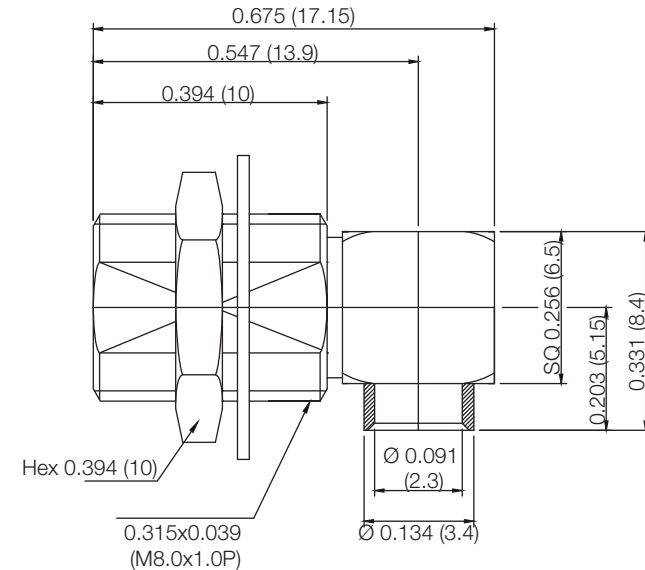
RoHS Compliant

Electrical Data

Impedance	50 Ω
Frequency Range	DC - 6GHz.
Insertion Loss	0.05 \sqrt{F} (GHz)
Working Voltage	335 VRMS max
Insulation Resistance	5,000M Ω min
Dielectric Withstanding Voltage	750V min
VSWR	1.15+0.1xF(GHz)

Mechanical Data

Temperature Range: -55 °C - 145 °C

Recommended
Mounting Hole

VSWR and Frequency Range Specifications
are for reference and are dependant on cable
type and other application specific conditions

Drawing not to scale. Dimensions for reference only

Units: inches (mm)

Konnect RF

WWW.KONNECTRF.COM
1-800-790-5887

PART NUMBER

KCC197075

DESCRIPTION

BMA Female Right Angle Bulkhead Plug

CAGE CODE

664U0

SIGNATURE

X

THIS DRAWING INCLUDING THE
DESIGNS IS THE PROPERTY OF
KONNECT RF AND IS NOT TO
BE USED FOR ANY PURPOSE
WITHOUT OUR APPROVAL.

Cable Types: .085 (RG405)**Component**

Body & Nut
Center Contact
Insulator
Washer

Material

Brass
Brass
PTFE
Stainless Steel

Plating

Gold
Gold
Gold
Gold