

PART NUMBER

KCC197072

REV.

DATE

COMMENTS

INITIAL

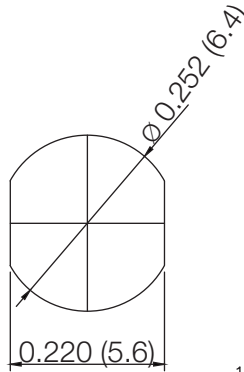
Electrical Data

Impedance	50 Ω
Frequency Range	DC - 6GHz.
Insertion Loss	0.05 \sqrt{F} (GHz)
Working Voltage	3354 VRMS max
Insulation Resistance	5,000M Ω min
Dielectric Withstanding Voltage	750V min
VSWR	1.15+0.1xF(GHz)

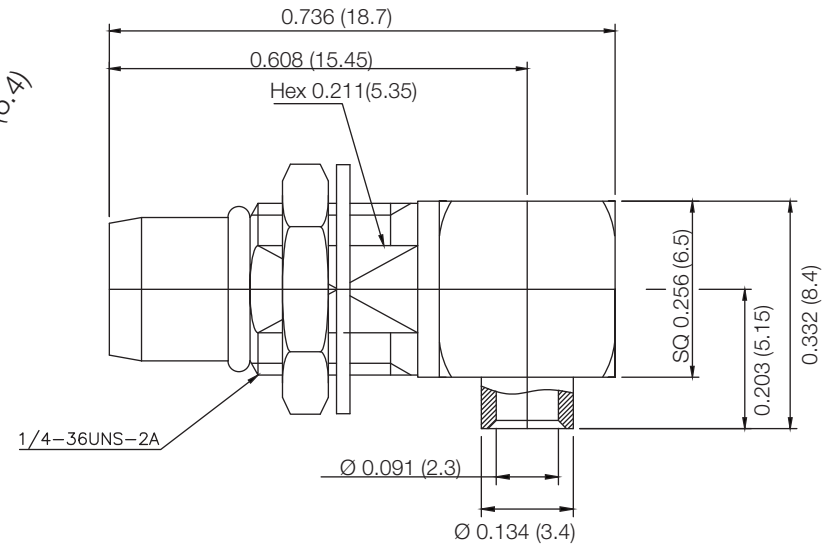
RoHS Compliant

Mechanical Data

Temperature Range: -55 °C - 145 °C



Mounting Hole



VSWR and Frequency Range Specifications are for reference and are dependant on cable type and other application specific conditions

Drawing not to scale. Dimensions for reference only

Units: inches (mm)

WWW.KONNECTRF.COM
1-800-790-5887

PART NUMBER

KCC197072

DESCRIPTION

BMA Male Right Angle Bulkhead Jack

CAGE CODE

664U0

SIGNATURE

X

THIS DRAWING INCLUDING THE DESIGNS IS THE PROPERTY OF KONNECT RF AND IS NOT TO BE USED FOR ANY PURPOSE WITHOUT OUR APPROVAL.

Cable Types: .085 (RG405)

Component	Material	Plating
Body & Nut	Brass	Gold
Center Contact	Brass	Gold
Insulator	PTFE	
O-Ring	Silicone Rubber	
Washer	Stainless Steel	Gold
Cover	Brass	Gold