

PART NUMBER

KCC197047

REV.

DATE

COMMENTS

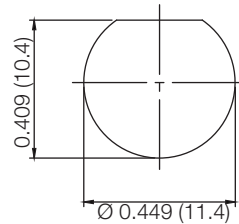
INITIAL

Electrical Data

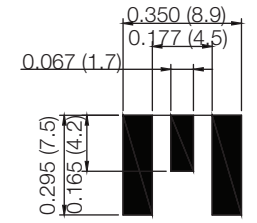
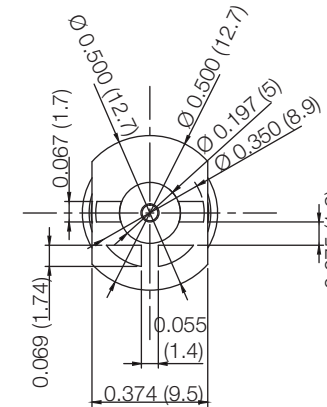
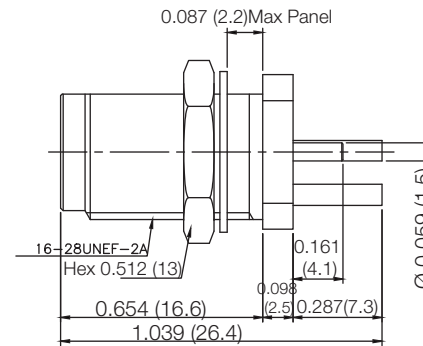
Impedance	50Ω
Frequency Range	DC - 7.5 GHz.
Contact Current	DC 3.5A max
Insertion Loss	0.25dB max
Voltage Rating	500VRMS
Contact Resistance	
Center	1.5 mΩ
Outer	1.0 mΩ
Insulation Resistance	5,000 MΩmin
VSWR	≤ =1.35

Mechanical Data

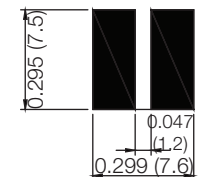
Temperature Range:	-65 °C - 165 °C
Interface Per	MIL-STD-348

RoHS Compliant

Mounting Hole



PCB Layout Top



PCB Layout Bottom

Drawing not to scale. Dimensions for reference only

Units: inches (mm)

Konnect RF

WWW.KONNECTRF.COM
1-800-790-5887

PART NUMBER

KCC197047

DESCRIPTION

**TNC Straight Female Jack PC Board Receptacle,
Edge Mount, Bulkhead Rear Mount, IP67**

CAGE CODE

664U0

SIGNATURE

X

THIS DRAWING INCLUDING THE
DESIGNS IS THE PROPERTY OF
KONNECT RF AND IS NOT TO
BE USED FOR ANY PURPOSE
WITHOUT OUR APPROVAL.

Component

Body, Nut & Washer
Center Contact
Insulator

Material

Brass
BeCu
PTFE

Plating

Gold
Gold