

PART NUMBER

KCC197036

REV.

DATE

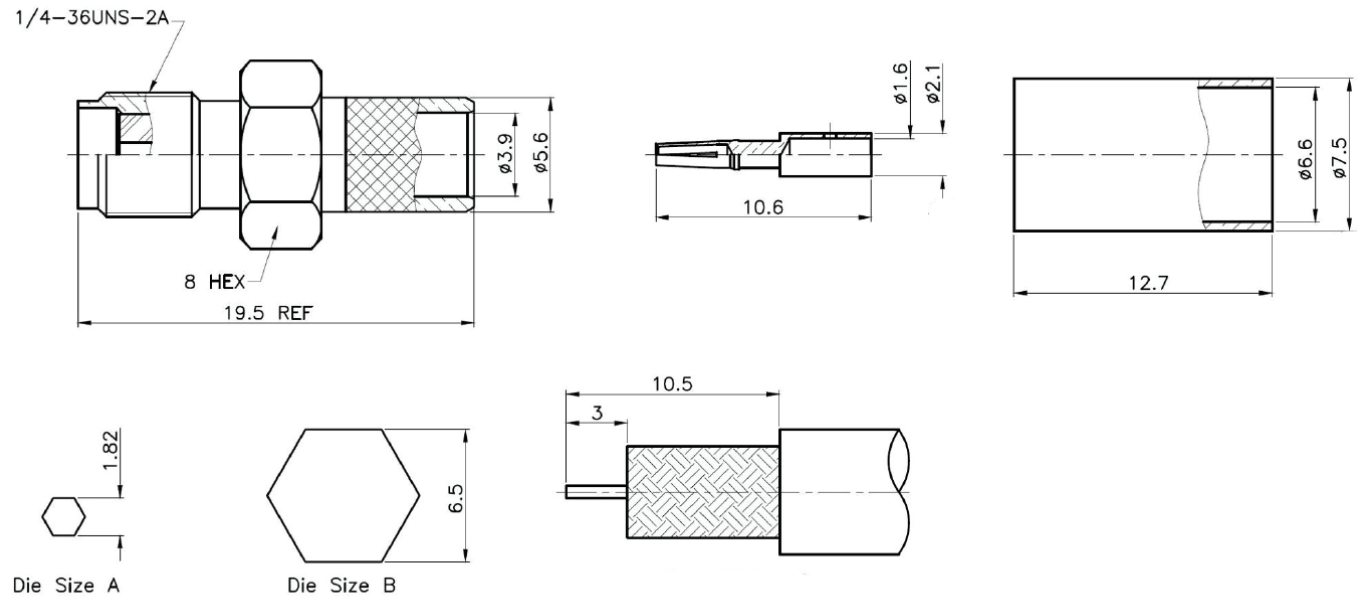
COMMENTS

INITIAL

Electrical Data

Impedance

50 Ω

RoHS Compliant

Drawing not to scale. Dimensions for reference only

Units:mm

Konnect RF

WWW.KONNECTRF.COM
1-800-790-5887

PART NUMBER

KCC197036

DESCRIPTION

SMA Female Jack, Crimp

CAGE CODE

664U0

SIGNATURE

X

THIS DRAWING INCLUDING THE
DESIGNS IS THE PROPERTY OF
KONNECT RF AND IS NOT TO
BE USED FOR ANY PURPOSE
WITHOUT OUR APPROVAL.

Cable Types:**Component**

Body
Center Contact
Ferrule
Insulator

Material

Brass
Phos. Bronze
Brass
PTFE

Plating

Gold
Gold
Gold