

PART NUMBER

KCC197031

REV.

DATE

COMMENTS

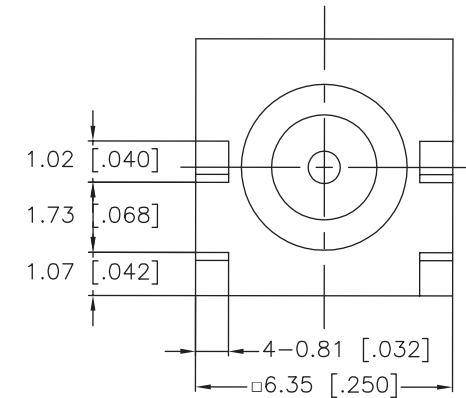
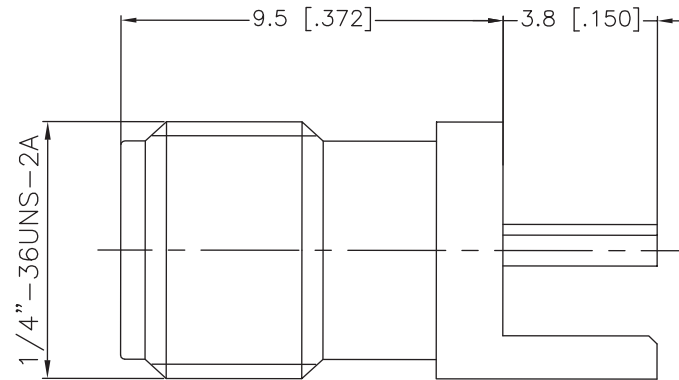
INITIAL

Electrical Data

Impedance	50 Ω
Frequency Range	DC - 40 GHz.
Insertion Loss	\leq 1.6dB @ 40GHz
Insulation Resistance	5,000 M Ω min
Dielectric Withstanding Voltage	1,000V Max At Sea level
VSWR	\leq 1.35

Mechanical Data

Temperature Range:	-55 °C - 165°C
Durability	500 Cycles

**RoHS Compliant**

Drawing not to scale. Dimensions for reference only

Units: mm (Inches)

Konnect RF

WWW.KONNECTRF.COM
1-800-790-5887

PART NUMBER

KCC197031

DESCRIPTION

2.92mm Straight Female Jack Edge Mount PC Board Receptacle

CAGE CODE

664U0

SIGNATURE

X

THIS DRAWING INCLUDING THE
DESIGNS IS THE PROPERTY OF
KONNECT RF AND IS NOT TO
BE USED FOR ANY PURPOSE
WITHOUT OUR APPROVAL.

Component
Body & Nut
Center Contact
Insulator

Material
Brass
BeCu
PEI

Plating
Gold
Gold