

PART NUMBER

KCC197023

REV.

DATE

COMMENTS

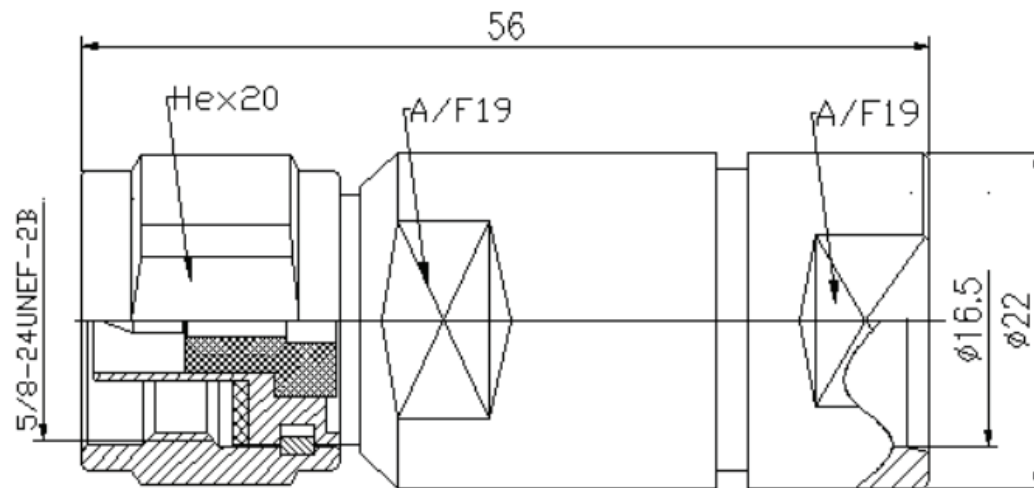
INITIAL

Electrical Data

Impedance	50 Ω
Frequency Range	DC-11GHz
VSWR	≤ 1.10 @DC-2.7GHz; ≤ 1.15 @2.7-3.7GHz
Intermodulation 3rd (PIM3)	≤ -155 dBc@2x43dBm(20w)
Dielectric Withstanding Voltage	≥ 2500 V RMS,50Hz,at sea level
Working Voltage	≤ 1000 V RMS,50Hz,at sea level
Dielectric Resistance	≥ 5000 M Ω
Contact Resistance	
Center Contact	≤ 1.0 m Ω
Outer Contact	≤ 0.25 m Ω

Mechanical Data

Durability	500 Cycles Min.
Temperature Range:	-45 $^{\circ}$ C - 85 $^{\circ}$ C
Water proof Rating	IP68
Interface	
According to IEC 60169-16	

**RoHS Compliant**

VSWR and Frequency Range Specifications are for reference and are dependant on cable type and other application specific conditions

Drawing not to scale. Dimensions for reference only

Units:mm

Konnect RF

WWW.KONNECTRF.COM
1-800-790-5887

PART NUMBER

KCC197023

DESCRIPTION

N Straight Male Plug, Clamp,IP68

CAGE CODE

664U0

SIGNATURE

X

Cable Types: 1/2" Foam Feeder (Flexible)**Component**

Body
Center Contact
Coupling Nut
Back Nut
Press Ring
Gasket
Cable Clamp
Insulator

Material

Brass
Phos. Bronze
Brass
Brass
Brass
Silicone Rubber
Brass
PTFE

Plating

White Bronze
Gold
Nickel
Nickel
Gold
Nickel

THIS DRAWING INCLUDING THE DESIGNS IS THE PROPERTY OF KONNECT RF AND IS NOT TO BE USED FOR ANY PURPOSE WITHOUT OUR APPROVAL.