

PART NUMBER

KCC197009

REV.

DATE

COMMENTS

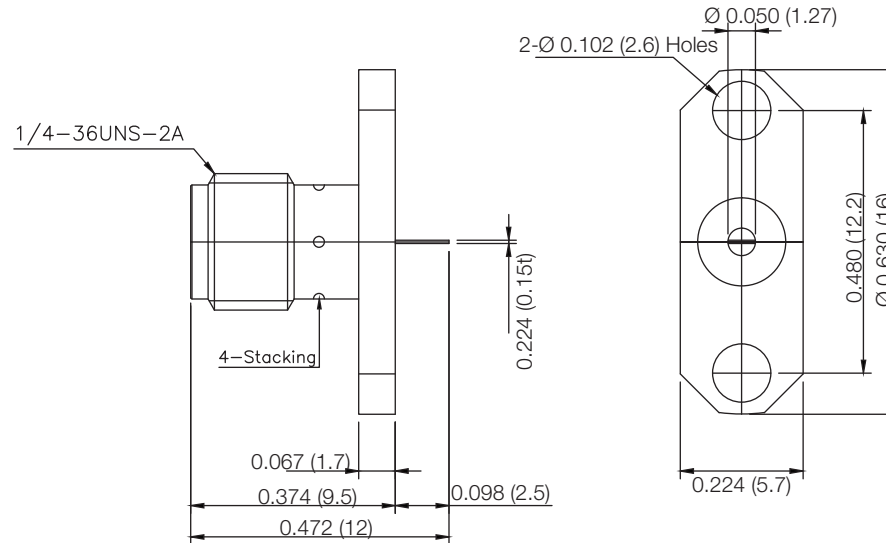
INITIAL

Electrical Data

Impedance 50Ω
 Frequency Range DC - 18 GHz.
 Insulation Resistance 5,000 MΩ
 Dielectric Withstanding Voltage 750 VRMS

Mechanical Data

Temperature Range: -55 °C - 125 °C

RoHS Compliant

Drawing not to scale. Dimensions for reference only

Units: inches (mm)

Konnnect RF

WWW.KONNECTRF.COM
 1-800-790-5887

PART NUMBER

KCC197009

DESCRIPTION

**SMA Straight Female Jack Receptacle,
2 Hole Flange Mount, Tab Contact**

CAGE CODE

664U0

SIGNATURE

X

THIS DRAWING INCLUDING THE
 DESIGNS IS THE PROPERTY OF
 KONNECT RF AND IS NOT TO
 BE USED FOR ANY PURPOSE
 WITHOUT OUR APPROVAL.

Component

Body
 Center Contact
 Insulator

Material

Brass
 BeCu
 PTFE

Plating

Gold
 Gold