

PART NUMBER

KCC197007

REV.

DATE

COMMENTS

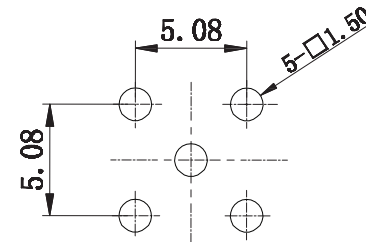
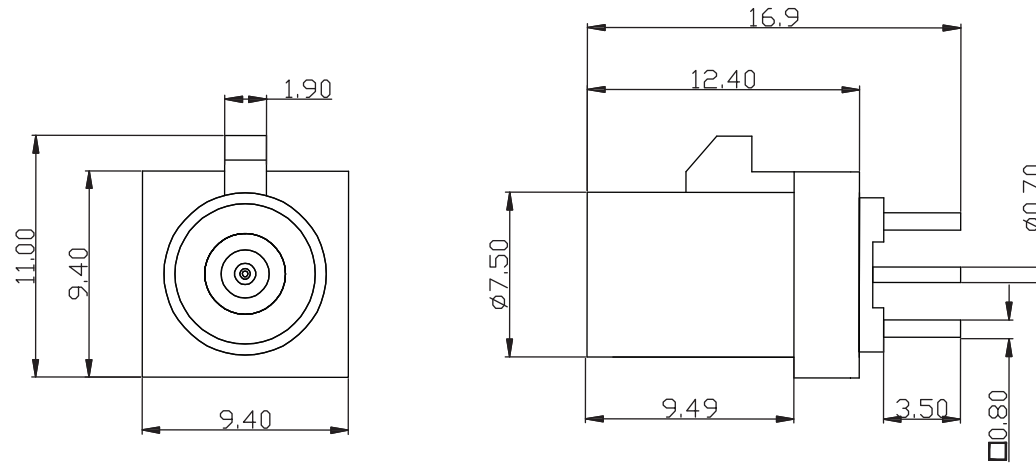
INITIAL

Electrical Data

Impedance	50 Ω
Frequency Range	DC - 3GHz.
Working Voltage	335V/max
Contact Resistance	
Center	5 m Ω
Outer	≤ 2.5 m Ω
Insulation Resistance	1,000 M Ω
VSWR	≤ 1.5

Mechanical Data

Durability	500 Cycles Min.
Temperature Range:	-55 $^{\circ}$ C - 125 $^{\circ}$ C

RoHS Compliant

PCB Layout

Drawing not to scale. Dimensions for reference only

Units: mm

Konnnect RF

WWW.KONNECTRF.COM
1-800-790-5887

PART NUMBER

KCC197007

DESCRIPTION

SMB Straight Female Plug, PC Board, 4 Leg Standoff

CAGE CODE

664U0

SIGNATURE

X

Component
Body

Material
Brass

Plating
Gold

THIS DRAWING INCLUDING THE
DESIGNS IS THE PROPERTY OF
KONNECT RF AND IS NOT TO
BE USED FOR ANY PURPOSE
WITHOUT OUR APPROVAL.