

PART NUMBER

KCC189995

REV.

DATE

COMMENTS

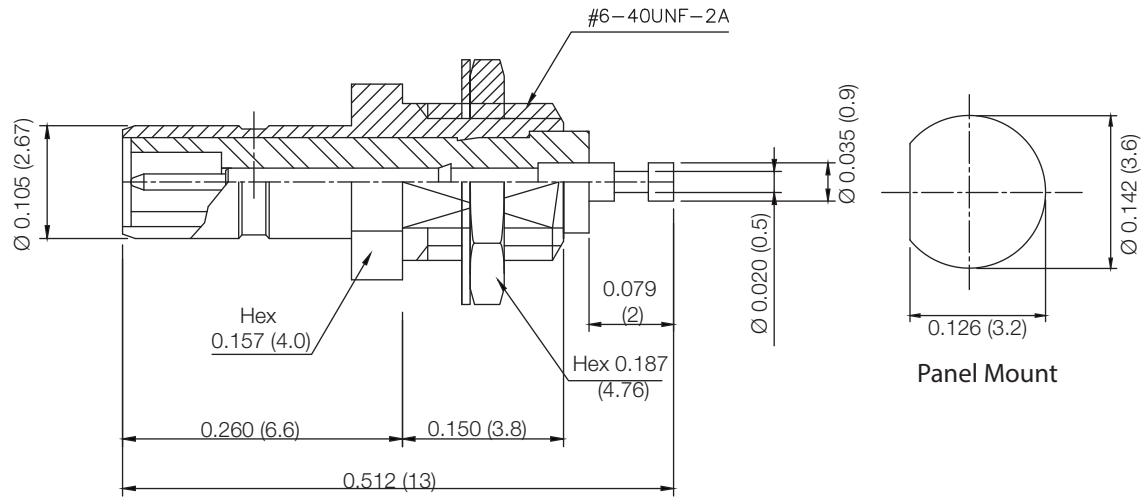
INITIAL

Electrical Data

Impedance	50 Ω
Frequency Range	DC - 4.0 GHz.
Working Voltage	250 VRMS Max
Insulation Resistance	1,000M Ω min
Dielectric Withstanding Voltage	750V min
VSWR	1.20 + 0.03xF (GHz)

Mechanical Data

Temperature Range: -45 °C - 125 °C

RoHS Compliant

Drawing not to scale. Dimensions for reference only

Units: inches (mm)

Konnect RF

WWW.KONNECTRF.COM
1-800-790-5887

PART NUMBER

KCC189995

DESCRIPTION

SSMB, Straight Male Jack, Bulkhead Front Mount, Turret Contact

CAGE CODE

664U0

SIGNATURE

X

THIS DRAWING INCLUDING THE
DESIGNS IS THE PROPERTY OF
KONNECT RF AND IS NOT TO
BE USED FOR ANY PURPOSE
WITHOUT OUR APPROVAL.

Component

Body, Nut & Washer
Center Contact
Insulator

Material

Brass
Brass
PTFE

Plating

Gold
Gold