

PART NUMBER

KCC189938

REV.

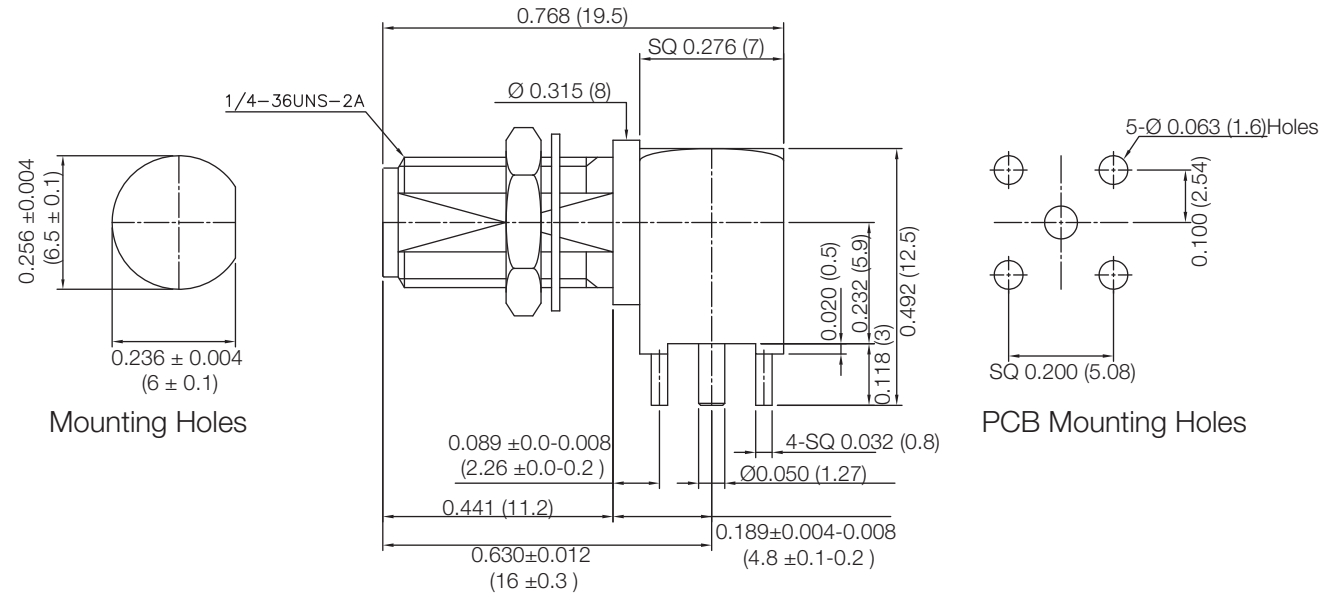
DATE

COMMENTS

INITIAL

Electrical Data

Impedance 50 Ω

RoHS Compliant

Drawing not to scale. Dimensions for reference only

Units: inches (mm)

Konnnect RFWWW.KONNECTRF.COM
1-800-790-5887

PART NUMBER

KCC189938

DESCRIPTION

**SMA Right Angle Female Jack 4 Leg
Standoff PC Board Receptacle, Bulkhead**

CAGE CODE

664U0

SIGNATURE

X

THIS DRAWING INCLUDING THE
DESIGNS IS THE PROPERTY OF
KONNECT RF AND IS NOT TO
BE USED FOR ANY PURPOSE
WITHOUT OUR APPROVAL.**Component**Body , Nut & washer
Center Contact
Insulator**Material**Brass
BeCu
PTFE**Plating**Gold
Gold