

PART NUMBER

KCC189935

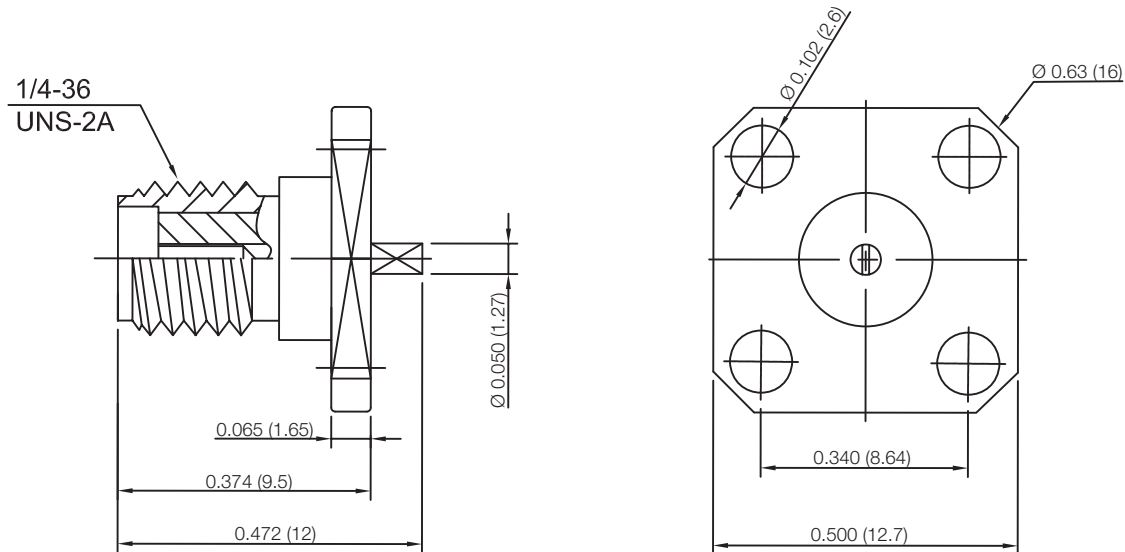
REV.

DATE

COMMENTS

INITIAL

RoHS Compliant



Drawing not to scale. Dimensions for reference only

Units: inches (mm)

Konnnect RF

WWW.KONNECTRF.COM
1-800-790-5887

PART NUMBER

KCC189935

DESCRIPTION

**SMA Straight Female Jack Receptacle,
 4 Hole Flange Mount, Tab Contact**

CAGE CODE

664U0

SIGNATURE

X

THIS DRAWING INCLUDING THE
 DESIGNS IS THE PROPERTY OF
 KONNECT RF AND IS NOT TO
 BE USED FOR ANY PURPOSE
 WITHOUT OUR APPROVAL.

Component

Body
 Center Contact
 Insulator

Material

Brass
 BeCu
 PTFE

Plating

Gold Plated 5U"
 Gold Plated 30U"