

PART NUMBER

KCC189931

REV.

DATE

COMMENTS

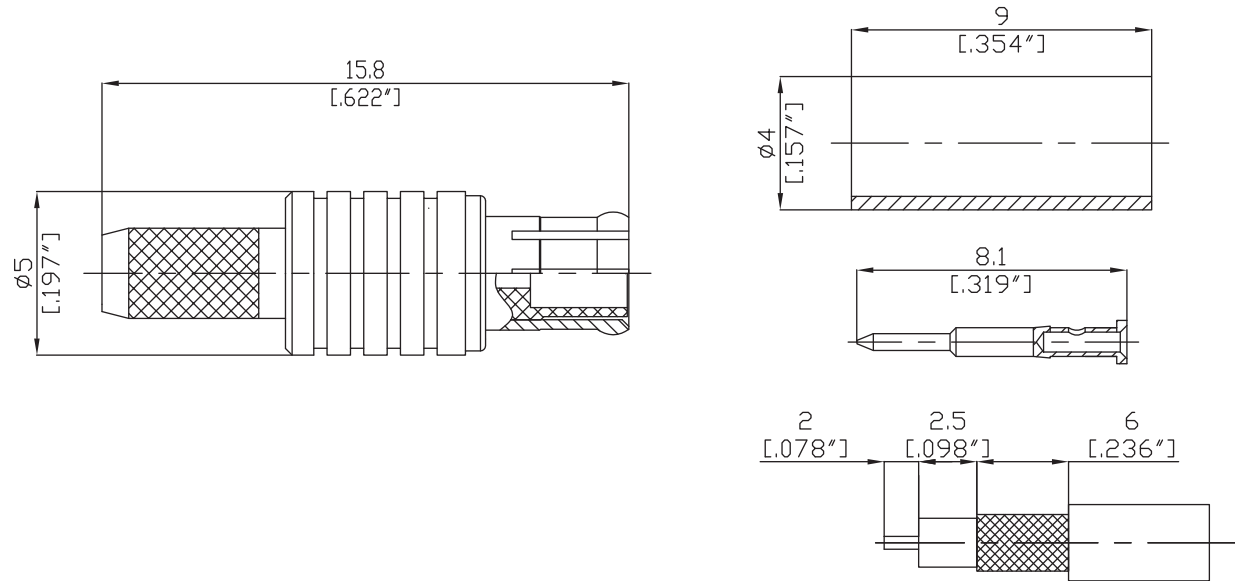
INITIAL

Electrical Data

Impedance	75 Ω
Frequency Range	DC - 3 GHz.
Insulation Resistance	1,000 M Ω min
Dielectric Withstanding Voltage	750V Max at Sea Level
VSWR	≤ 1.20 @ 3GHz

Mechanical Data

Temperature Range: -45 °C - 125 °C

RoHS CompliantRecommended
Stripping Dimension

Drawing not to scale. Dimensions for reference only

Units: mm(Inches)

Konnect RFWWW.KONNECTRF.COM
1-800-790-5887

PART NUMBER

KCC189931

DESCRIPTION

75 Ohm MCX Straight Male Plug, Crimp

CAGE CODE

664U0

SIGNATURE

X

THIS DRAWING INCLUDING THE
DESIGNS IS THE PROPERTY OF
KONNECT RF AND IS NOT TO
BE USED FOR ANY PURPOSE
WITHOUT OUR APPROVAL.**Cable Types:** RG-179**Component**Body
Contact
Center Contact
Insulator**Material**Brass
Phos. Bronze
Brass
PTFE**Plating**Gold
Gold
Gold