

PART NUMBER

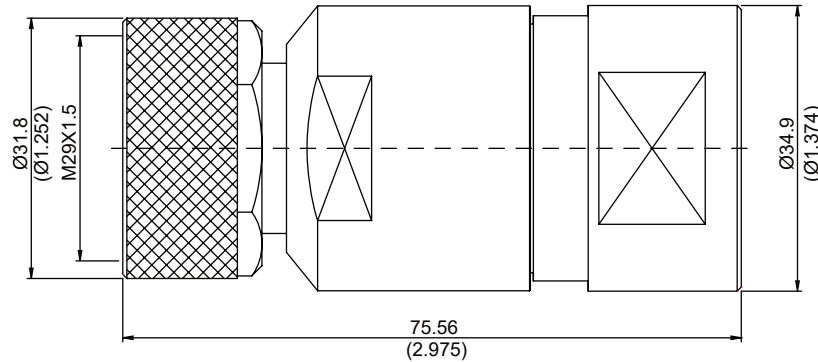
**KCC189928**

REV.

DATE

COMMENTS

INITIAL

**Electrical Data**Impedance 50  $\Omega$ **RoHS Compliant**

Drawing not to scale. Dimensions for reference only

Units: mm (Inches)

**Konnect RF**WWW.KONNECTRF.COM  
1-800-790-5887

PART NUMBER

**KCC189928**

DESCRIPTION

**7/16 DIN Straight Male Plug, Clamp**

CAGE CODE

**664U0**

SIGNATURE

X

**Cable Types:** 7/8" Foam Dielectric Cable**Component**Body & Coupling Nut  
Nut  
Center Contact  
Insulator  
Gasket**Material**Brass  
Brass  
Brass  
PTFE  
Silicone**Plating(Micro-Inch)**White Bronze  
White Bronze  
Silver 150 Over Copper 50THIS DRAWING INCLUDING THE  
DESIGNS IS THE PROPERTY OF  
KONNECT RF AND IS NOT TO  
BE USED FOR ANY PURPOSE  
WITHOUT OUR APPROVAL.