

PART NUMBER

**KCC189913**

REV.

DATE

COMMENTS

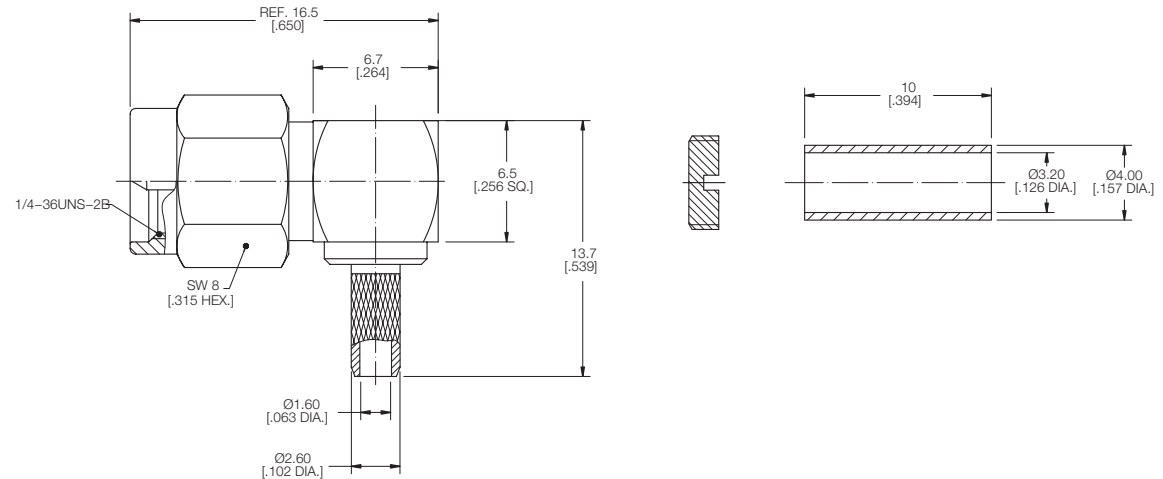
INITIAL

**Electrical Data**

Impedance 50  $\Omega$   
 Frequency Range DC - 12.4 GHz.  
 VSWR  $\leq 1.35$  @ DC-6GHz

**Mechanical Data**

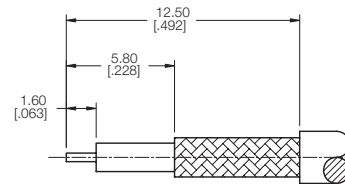
Temperature Range: -55 °C - 165 °C  
 2011/65/EU (RoHS): COMPLIANT

**RoHS Compliant**

HEX. CRIMP TOOL



CRIMP WIDTH: 7.5



CABLE STRIPPING DIMENSIONS

**VSWR and Frequency Range Specifications**  
 are for reference and are dependant on cable  
 type and other application specific conditions

Drawing not to scale. Dimensions for reference only

Units: mm (Inches)

**Konnect RF**

WWW.KONNECTRF.COM  
 1-800-790-5887

PART NUMBER

**KCC189913**

DESCRIPTION

**SMA Right Angle Male Plug, Crimp/Crimp Only**

CAGE CODE

**664U0**

SIGNATURE

X

THIS DRAWING INCLUDING THE  
 DESIGNS IS THE PROPERTY OF  
 KONNECT RF AND IS NOT TO  
 BE USED FOR ANY PURPOSE  
 WITHOUT OUR APPROVAL.

**Cable Types:** RG174,188,316

Component	Material	Plating
Body & Coupling Nut	Brass	Gold
Center Contact	Brass	Gold
Crimp Ferrule	Copper	Nickel
Gasket	MVQ(Silicone Rubber)	
Insulator	PTFE	