

PART NUMBER

**KCC189898**

REV.

DATE

COMMENTS

INITIAL

**Electrical Data**

Impedance	50 $\Omega$
Frequency Range	DC - 18 GHz.
Insertion Loss	$\leq 1.15 + 0.02 f(\text{GHz})$
Voltage Rating	500 VRMS
RF Leakage	-60 dBm Min. between 2 - 3 GHz
Insulation Resistance	$\geq 5000 \text{ M}\Omega$
Dielectric Withstanding Voltage	750 VRMS
VSWR	1.25:1

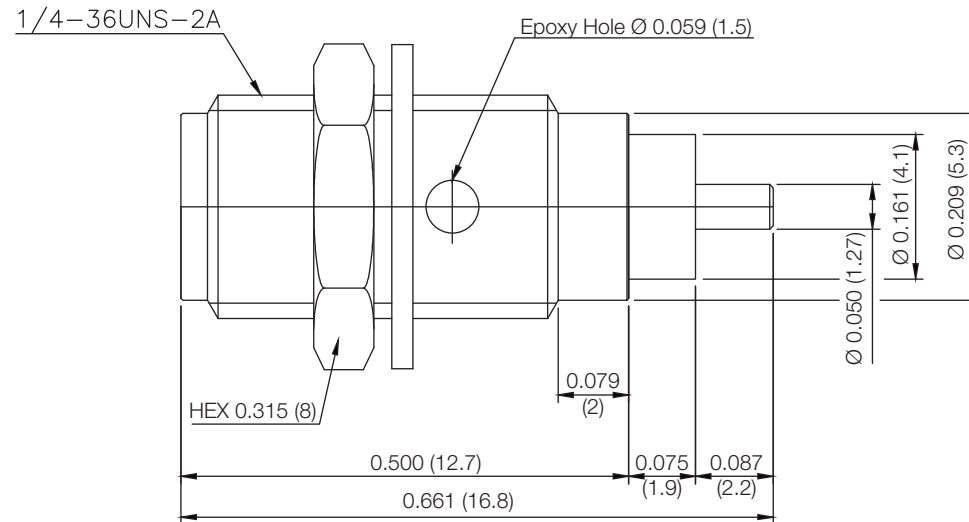
**Mechanical Data**

Mating Life	500 Matings
Temperature Range:	-65 °C - 125 °C

**Standards**

Center Contact Retention:	
Torque:	500g-f cm min
Withdrawal Force:	6kg.f min
Mating Torque	7 - 10 inch-pound

RoHS Compliant



Drawing not to scale. Dimensions for reference only

Units: inches (mm)

**Konnect RF**

WWW.KONNECTRF.COM  
1-800-790-5887

PART NUMBER

**KKCC189898**

DESCRIPTION

**SMA Straight Female Jack Receptacle,  
Blunt Post, Extended Teflon (0.075")**

CAGE CODE

**664U0**

SIGNATURE

X

**Component**

Body, Nut, & Washer  
Center Contact  
Insulator

**Material**

Stainless Steel  
BeCu  
PTFE

**Plating**

Gold  
Gold

THIS DRAWING INCLUDING THE  
DESIGNS IS THE PROPERTY OF  
KONNECT RF AND IS NOT TO  
BE USED FOR ANY PURPOSE  
WITHOUT OUR APPROVAL.