

PART NUMBER

KCC189890

REV.

DATE

COMMENTS

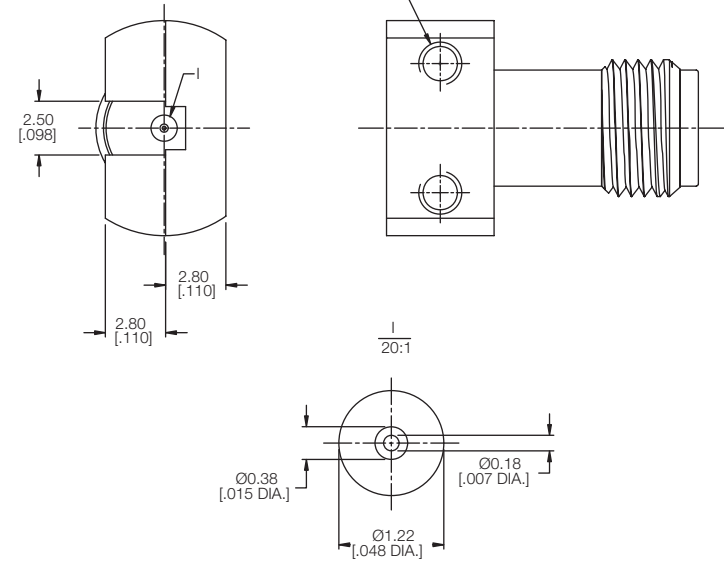
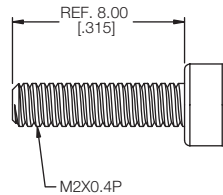
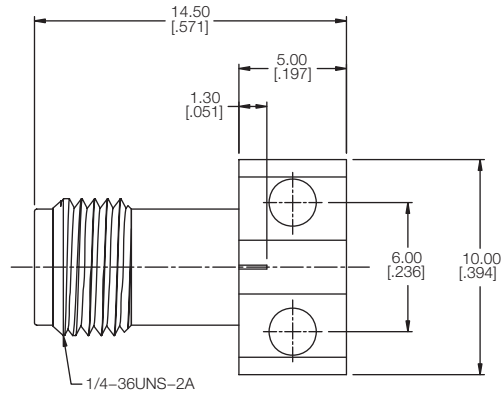
INITIAL

Electrical Data

Impedance 50 Ω
 Frequency Range DC - 18 GHz.

Mechanical Data

Temperature Range: -55 °C - 125 °C

RoHS Compliant

Drawing not to scale. Dimensions for reference only

Units: mm (Inches)

Konnect RF

WWW.KONNECTRF.COM
 1-800-790-5887

PART NUMBER

KCC189890

DESCRIPTION

SMA Straight Female Jack Edge Mount PC Board Receptacle, Strip Transmission, Round Contact

CAGE CODE

664U0

SIGNATURE

X

THIS DRAWING INCLUDING THE DESIGNS IS THE PROPERTY OF KONNECT RF AND IS NOT TO BE USED FOR ANY PURPOSE WITHOUT OUR APPROVAL.

Component

Body
 Center Contact
 Insulator

Material

Brass
 BeCu
 PTFE

Plating

Gold
 Gold