

PART NUMBER

KCC189888

REV.

DATE

COMMENTS

INITIAL

RoHS Compliant**Electrical Data**

Impedance 50 Ω
 Frequency Range DC - 18 GHz
 Contact Current DC 2.0A max
 Working Voltage Semi-rigid cable: 1,000V
 Flexible cable : 750V

Insertion Loss 0.05/ f(GHz)dB
 Contact Resistance
 Center 3.0 m Ω
 Outer 2.5 m Ω
 Insulation Resistance 5,000 M Ω min
 VSWR 1.2 Max @ 18 GHz
 RF Leakage -60dBm min. between 2-3GHz

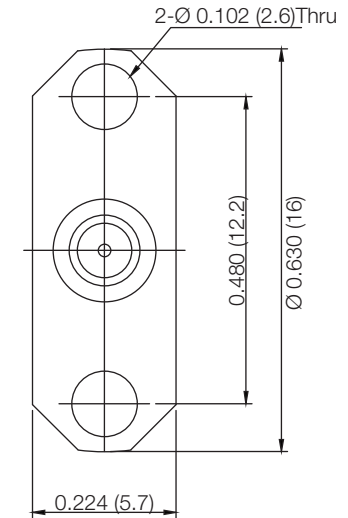
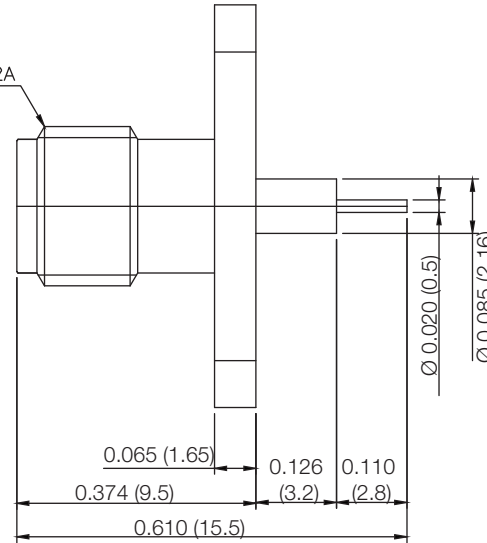
Mechanical Data

Coupling Nut Torque 12Ncm-140Ncm
 Coupling Nut Retention Force \geq 200N
 Life 500 matings
 Contact Captivation \geq 27N
 **MIL-TD-348

Environmental Data

Temperature Range -55 $^{\circ}$ C - 125 $^{\circ}$ C
 Corrosion Resistance MIL-STD-202, Method 101, Condition B.
 Moisture Resistance MIL-STD-202, Method 106
 Thermal Shock MIL-STD-202, Method 107, Condition B
 Vibration MIL-STD-202, Method 204, Condition D
 Shock MIL-STD-202, Method 213, Condition I

1/4-36UNS-2A



Drawing not to scale. Dimensions for reference only

Units: inches (mm)

Konnect RF

WWW.KONNECTRF.COM
 1-800-790-5887

PART NUMBER

KCC189888

DESCRIPTION

**SMA Straight Female Jack Receptacle,
 2 Hole Flange Mount , Extended Teflon , Blunt Post**

CAGE CODE

664U0

SIGNATURE

X

THIS DRAWING INCLUDING THE
 DESIGNS IS THE PROPERTY OF
 KONNECT RF AND IS NOT TO
 BE USED FOR ANY PURPOSE
 WITHOUT OUR APPROVAL.

Component

Body
 Center Contact
 Insulator

Material

Brass
 BeCu
 PTFE

Plating

Gold
 Gold