

PART NUMBER

KCC189875

REV.

DATE

COMMENTS

INITIAL

Electrical Data

Impedance	50 Ω
Frequency Range	DC - 27 GHz.
Insertion Loss	≤ 0.04 x √f(GHz) dB
Working Voltage	500 VRMS
Contact Resistance	
Center	≤ 3 mΩ
Outer	≤ 2 mΩ
Insulation Resistance	≥ 5000 MΩ
Dielectric Withstanding Voltage	1500 VRMS
VSWR	≤ 1.15 (DC to 27 GHz)

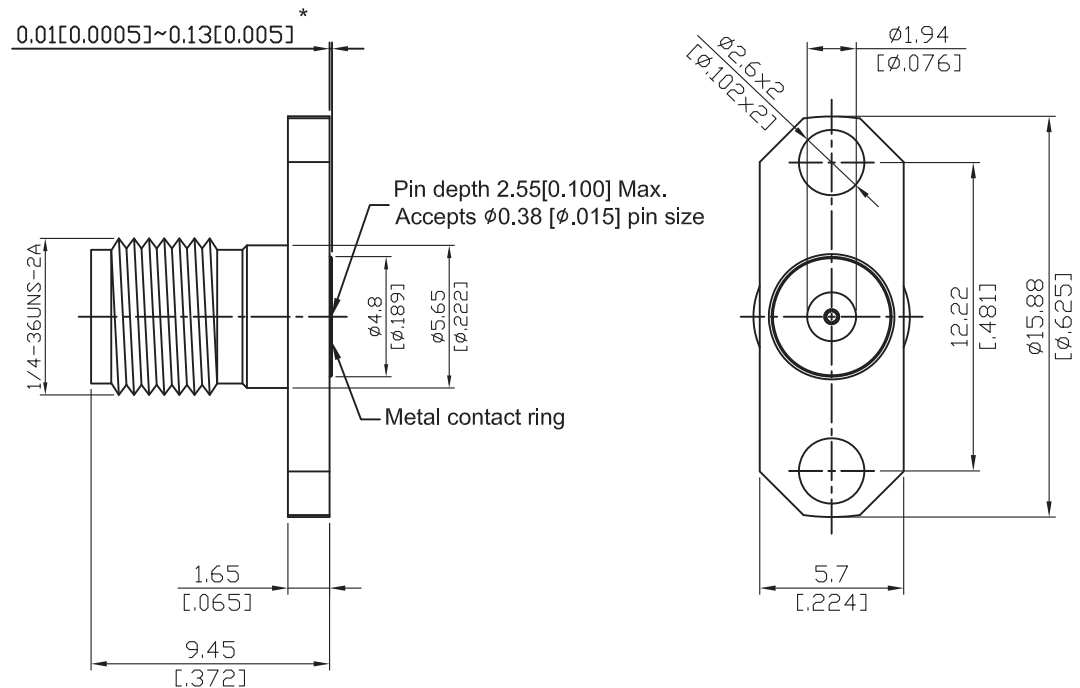
Mechanical Data

Durability	≥ 500 matings
Recommended Coupling Nut Torque	7 to 9.5 inch lbs
Coupling Proof Torque	15 inch lbs
Contact Captivation-axial	≥ 6.1 lbs
Temperature Range:	-65 °C - 165 °C

Standards

Thermal Shock	MIL-STD-202, Method 107, Condition B
Moisture Resistance	MIL-STD-202, Method 106
Corrosion	MIL-STD-202, Method 101, Condition B

RoHS Compliant



Drawing not to scale. Dimensions for reference only

Units: mm (inches)

Konnect RF

WWW.KONNECTRF.COM
1-800-790-5887

PART NUMBER

KCC189875

DESCRIPTION

**SMA Straight Female Jack Field Replaceable Receptacle,
2 Hole Flange Mount, Metal Contact Ring**

CAGE CODE

664U0

SIGNATURE

X

THIS DRAWING INCLUDING THE
DESIGNS IS THE PROPERTY OF
KONNECT RF AND IS NOT TO
BE USED FOR ANY PURPOSE
WITHOUT OUR APPROVAL.

ComponentBody
Center Contact**Material**Stainless Steel
BeCu**Plating**Passivated
Gold 4 Over Nickel-Phosphorus
Alloy 80 Over Copper 20Metal Contact Ring
InsulatorStainless Ring
PTFE

Passivated