

PART NUMBER

KCC189873

REV.

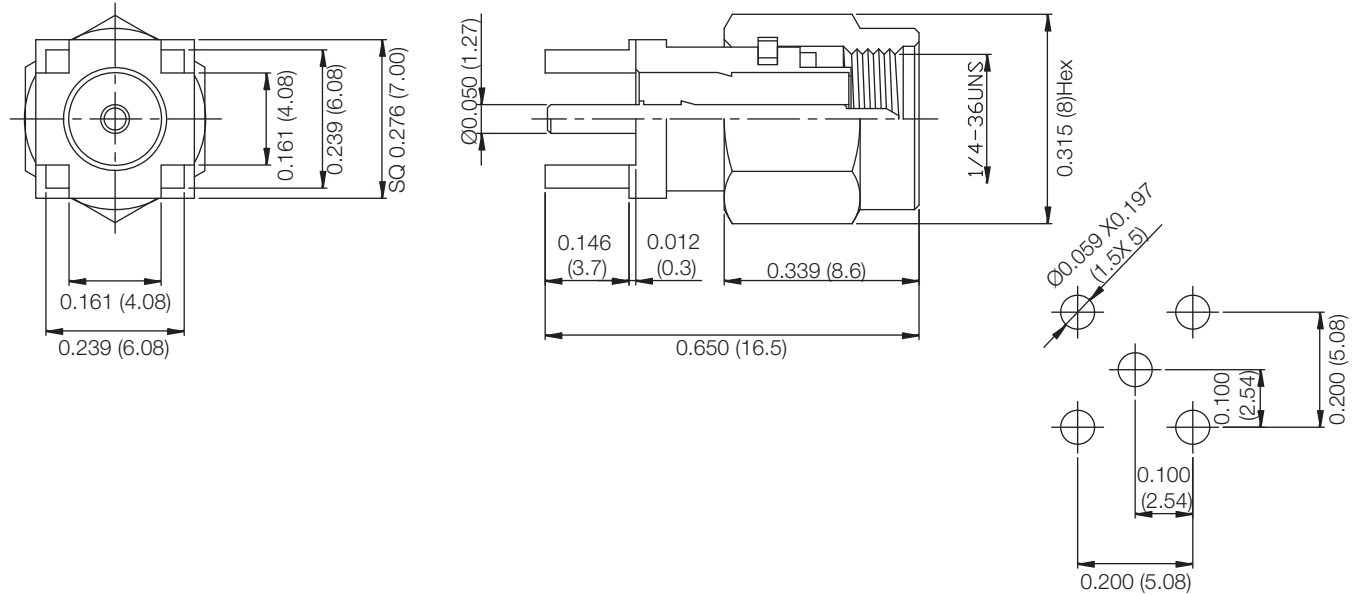
DATE

COMMENTS

INITIAL

Electrical Data

Impedance 50 Ω
 Frequency Range DC - 6 GHz.
 Working Voltage 335 VRMS max
 Insulation Resistance $\geq 1,000$ M Ω
 Dielectric Withstanding Voltage 1,000 VRMS max

RoHS Compliant

Drawing not to scale. Dimensions for reference only

Units: inches (mm)

Konnect RF

WWW.KONNECTRF.COM
 1-800-790-5887

PART NUMBER

KCC189873

DESCRIPTION

SMA Straight Male Plug, 4 Leg PC Board Receptacle

CAGE CODE

664U0

SIGNATURE

X

THIS DRAWING INCLUDING THE
 DESIGNS IS THE PROPERTY OF
 KONNECT RF AND IS NOT TO
 BE USED FOR ANY PURPOSE
 WITHOUT OUR APPROVAL.

Component

Body
 Center Contact
 Insulator

Material

Brass
 Brass
 PTFE

Plating

Gold
 Gold