

PART NUMBER  
**KCC189869**

REV.	DATE	COMMENTS	INITIAL

**Electrical Data**

Impedance 50 Ω  
 Frequency Range DC - 4 GHz.  
 Contact Current DC 3.5A max  
 Voltage Rating 500 Volts Peak  
 Contact Current Center Contact: 2.0mΩ  
 Outer Contact : 0.2mΩ  
 Insulation Resistance 5,000 MΩ  
 Insertion Loss ≤0.3 dB max @ 3GHz  
 VSWR 1.35

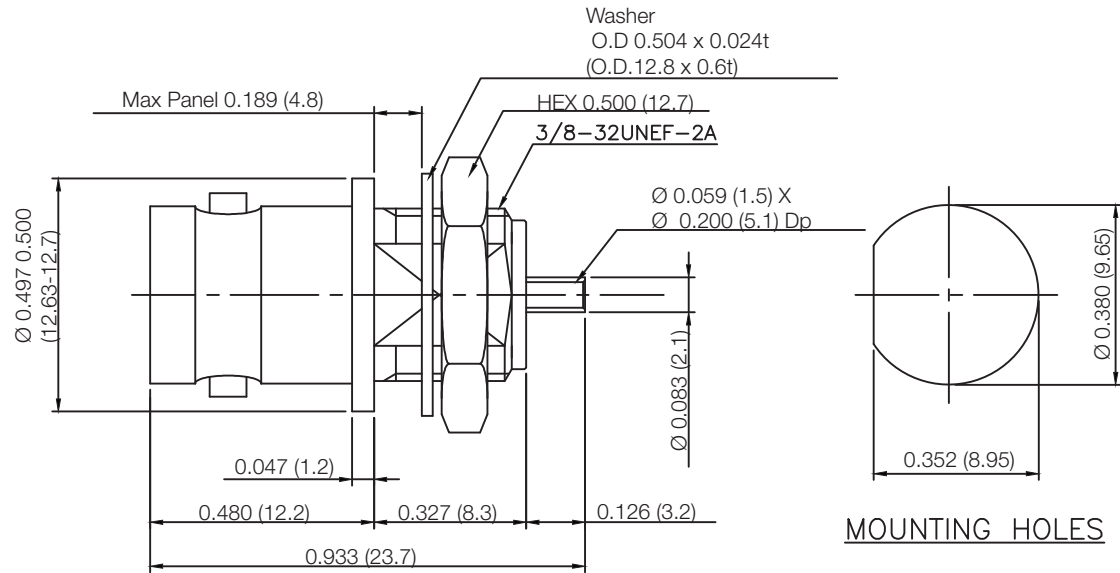
**RoHS Compliant**

**Mechanical Data**

Temperature Range: -65 °C - 125 °C  
 Coupling Nut Torque 0.07Nm min-0.25Nm max  
 Coupling Nut Retention Force 44.5 daN  
 Durability 500 matings  
 Contact Captivation ≥27N

**Standards**

Corrosion Resistance MIL-STD-202, Method 101, Condition B  
 Moisture Resistance MIL-STD-202, Method 106  
 Thermal Shock MIL-STD-202, Method 107, Condition B  
 Vibration MIL-STD-202, Method 204, Condition B  
 Shock MIL-STD-202, Method 213, Condition G



Drawing not to scale. Dimensions for reference only Units: inches (mm)



WWW.KONNECTRF.COM  
1-800-790-5887

PART NUMBER		DESCRIPTION		
<b>KCC189869</b>		<b>BNC Straight Female Jack Receptacle, Bulkhead, Solder Pot</b>		
CAGE CODE	SIGNATURE	Component	Material	Plating
<b>664U0</b>	X			
THIS DRAWING INCLUDING THE DESIGNS IS THE PROPERTY OF KONNECT RF AND IS NOT TO BE USED FOR ANY PURPOSE WITHOUT OUR APPROVAL.		Body	Brass	Nickel
		Center Contact	BeCu	Gold
		Washer	Brass	Nickel
		Insulator	PTFE	