

PART NUMBER

**KCC189850**

REV.

DATE

COMMENTS

INITIAL

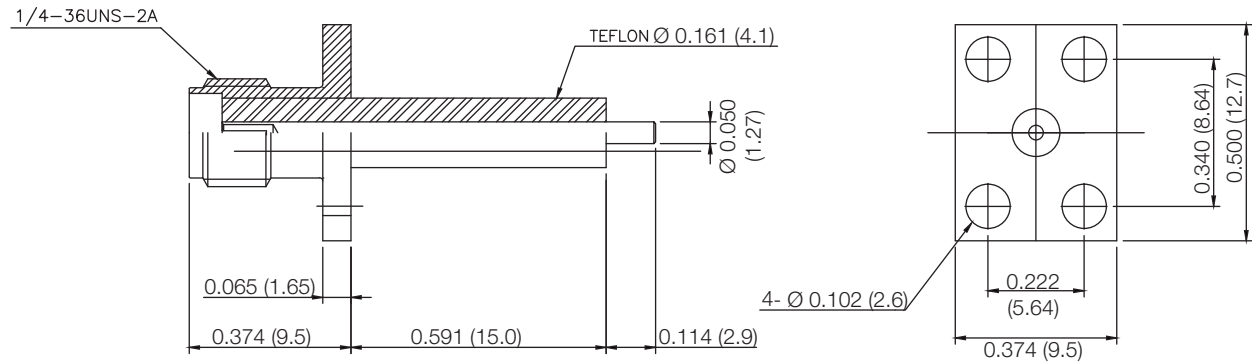
**Electrical Data**

Impedance 50  $\Omega$   
 Frequency Range DC - 18 GHz.  
 Insulation Resistance 5000 M $\Omega$   
 Dielectric Withstanding Voltage 750 VRMS  
 VSWR 1.2:1 max @ 18 GHz

RoHS Compliant

**Mechanical Data**

Temperature Range: -55 °C - 125°C



Drawing not to scale. Dimensions for reference only

Units: inches (mm)

**Konnect RF**

WWW.KONNECTRF.COM  
 1-800-790-5887

PART NUMBER

**KCC189850**

DESCRIPTION

**SMA Straight Female Jack Receptacle, 4-Hole Rectangle  
 Flange Mount, Extended Teflon, Blunt Post, Non-Captivated**

CAGE CODE

**664U0**

SIGNATURE

X

THIS DRAWING INCLUDING THE  
 DESIGNS IS THE PROPERTY OF  
 KONNECT RF AND IS NOT TO  
 BE USED FOR ANY PURPOSE  
 WITHOUT OUR APPROVAL.

**Component**

Body  
 Center Contact  
 Insulator

**Material**

Stainless  
 BeCu  
 PTFE

**Plating**

Passivated  
 Gold