

PART NUMBER

KCC189830

REV.

DATE

COMMENTS

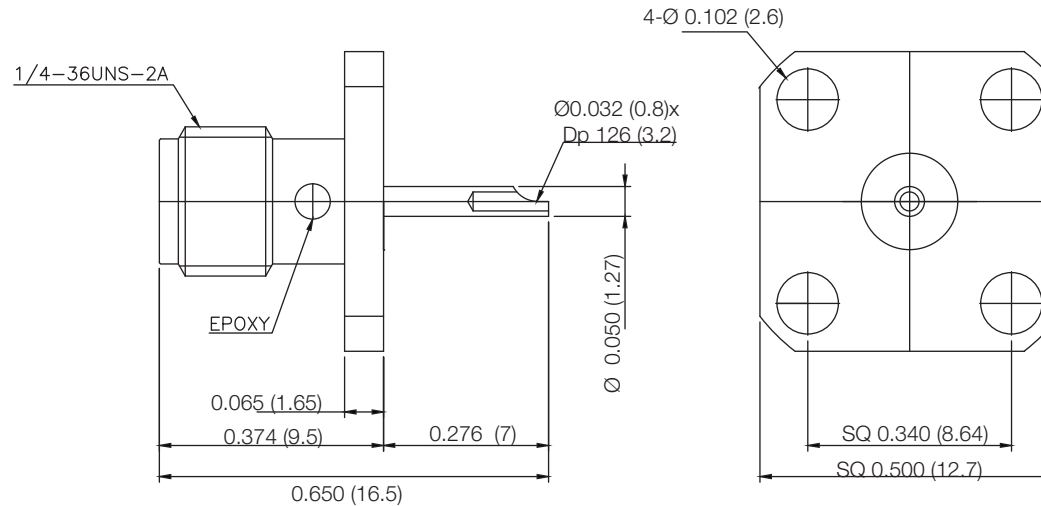
INITIAL

Electrical Data

Impedance 50 Ω
 Frequency Range DC - 18 GHz.
 Voltage Rating 500 VRMS
 Dielectric Withstanding Voltage 1,500 VRMS
 Contact Retention 6Lbs Axial

Mechanical Data

Durability 500 Cycles Min.
 Temperature Range: -45 °C - 145 °C

RoHS Compliant

Drawing not to scale. Dimensions for reference only

Units: inches (mm)

Konnect RF

WWW.KONNECTRF.COM
 1-800-790-5887

PART NUMBER

KCC189830

DESCRIPTION

SMA Straight Female Jack Receptacle, 4 Hole Flange Mount, Solder Pot , Epoxy Captivated

CAGE CODE

664U0

SIGNATURE

X

THIS DRAWING INCLUDING THE
 DESIGNS IS THE PROPERTY OF
 KONNECT RF AND IS NOT TO
 BE USED FOR ANY PURPOSE
 WITHOUT OUR APPROVAL.

Component

Body
 Center Contact
 Insulator

Material

Stainless Steel
 BeCu
 PTFE

Plating/Finish

Passivated
 Gold