

PART NUMBER

**KCC189825**

REV.

DATE

COMMENTS

INITIAL

A

09/24/2019

Updated Coupling Nut Design

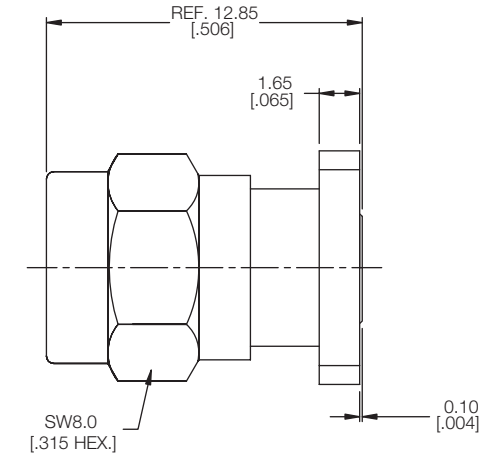
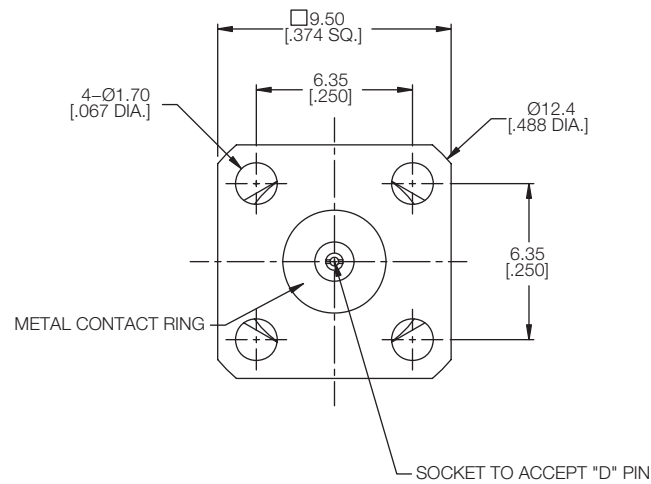
*MP***Electrical Data**

Impedance 50  $\Omega$   
 Frequency Range DC - 27 GHz.  
 Dielectric Withstanding Voltage 1,000 V  
 VSWR 1.10 max @ DC-18 GHz  
 1.15 max @ 18-27 GHz

**Mechanical Data**

Temperature Range: -55 °C - 165 °C

KCC189825	D	MAX. PIN DEPTH
KCC189825	$\varnothing 0.51$ [.020 DIA.]	2.54 [.100]

**RoHS Compliant**

Drawing not to scale. Dimensions for reference only

Units: inches (mm)

**Konnect RF**

WWW.KONNECTRF.COM  
 1-800-790-5887

PART NUMBER

**KCC189825**

DESCRIPTION

**SMA Straight Male Plug Field Replaceable Receptacle ,  
4 Hole Flange Mount**

CAGE CODE

**664U0**

SIGNATURE

**X**

THIS DRAWING INCLUDING THE  
 DESIGNS IS THE PROPERTY OF  
 KONNECT RF AND IS NOT TO  
 BE USED FOR ANY PURPOSE  
 WITHOUT OUR APPROVAL.

**Component**

Body & Coupling Nut  
 Center Contact  
 Retaining Ring  
 Insulator

**Material**

Stainless Steel  
 BeCu  
 BeCu  
 PEI & PTFE

**Plating/Finish**

Passivated  
 Gold  
 Nickel