

PART NUMBER

KCC189813

REV.

DATE

COMMENTS

INITIAL

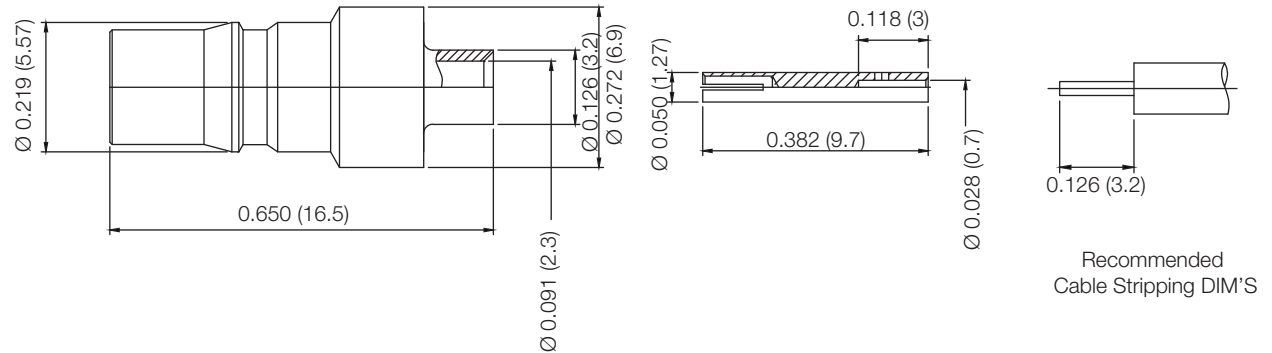
Electrical Data

Impedance 50 Ω
 Frequency Range DC - 6 GHz
 Insulation Resistance 5,000 M Ω Min

RoHS Compliant

Mechanical Data

Temperature Range -45 °C - 125 °C
 PIMD -160 dBc (2x20 Watts)



VSWR and Frequency Range Specifications are for reference and are dependant on cable type and other application specific conditions

Drawing not to scale. Dimensions for reference only

Units: inches (mm)

WWW.KONNECTRF.COM
1-800-790-5887

PART NUMBER

KCC189813

DESCRIPTION

QMA Straight Female Jack, Solder, Low Pim

CAGE CODE

664U0

SIGNATURE

X**Cable Type:** .085" dia. S/R (RG-405), TFlex-405

Component
 Body
 Center Contact
 Insulator

Material
 Brass
 BeCu
 PTFE

Plating
 White Bronze
 Silver

THIS DRAWING INCLUDING THE DESIGNS IS THE PROPERTY OF KONNECT RF AND IS NOT TO BE USED FOR ANY PURPOSE WITHOUT OUR APPROVAL.