

PART NUMBER

KCC189800

REV.

DATE

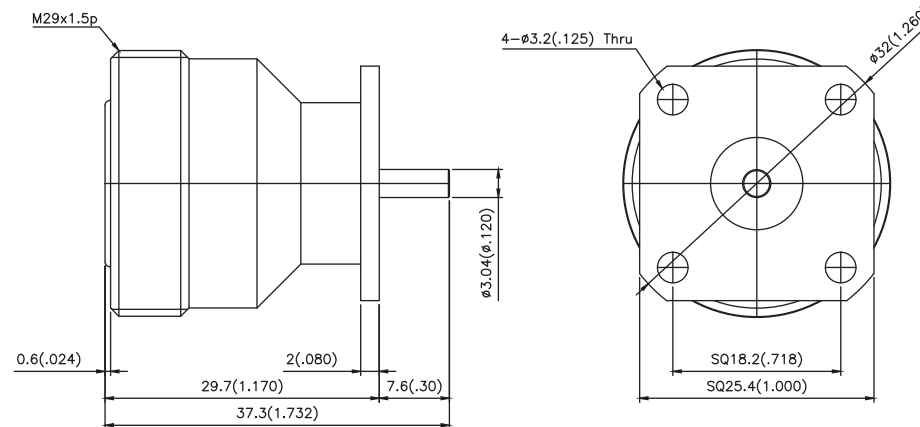
COMMENTS

INITIAL

Electrical Data

Impedance	50 Ω
Frequency Range	DC - 5 GHz.
Voltage Rating	2700 VRMS Max
Contact Resistance	
Center	0.4 m Ω Max
Outer	0.2 m Ω Max
Insulation Resistance	5,000 M Ω
Dielectric Withstanding Voltage	4,000 VRMS Min
VSWR	1.30 Max

RoHS Compliant



Drawing not to scale. Dimensions for reference only

Units: mm (Inches)

Konnect RF

WWW.KONNECTRF.COM
1-800-790-5887

PART NUMBER

KCC189800

DESCRIPTION

**7/16 DIN Straight Female Jack Receptacle,
4 Hole Flange Mount, Blunt Post**

CAGE CODE

664U0

SIGNATURE

X

THIS DRAWING INCLUDING THE
DESIGNS IS THE PROPERTY OF
KONNECT RF AND IS NOT TO
BE USED FOR ANY PURPOSE
WITHOUT OUR APPROVAL.

Component

Body
Center Contact
Insulator

Material

Brass
BeCu
PTFE

Plating

Silver
Silver