

PART NUMBER

**KCC189798**

REV.

DATE

COMMENTS

INITIAL

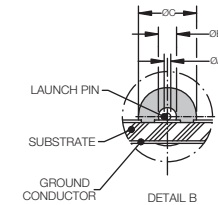
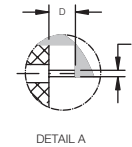
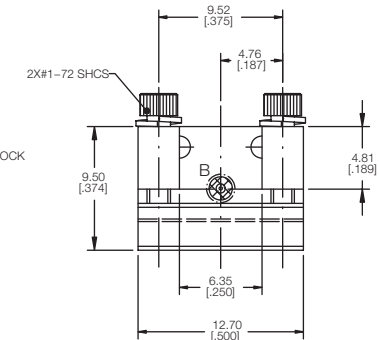
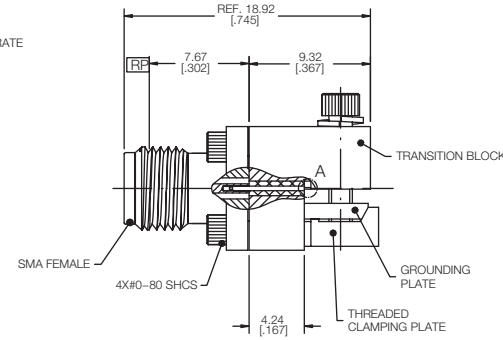
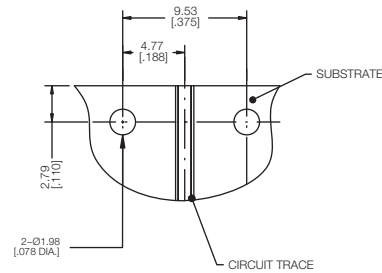
**Electrical Data**

Impedance 50Ω  
 Frequency Range DC - 26.5 GHz.

**Mechanical Data**

Temperature Range: -55 °C - 125 °C

Ø A	Ø B	Ø C	D
0.25 [.010]	0.51 [.020]	1.61 [.0635]	1.27 [.050]



Drawing not to scale. Dimensions for reference only

Units: mm(Inches)

**Konnnect RF**

WWW.KONNECTRF.COM  
 1-800-790-5887

PART NUMBER

**KCC189798**

DESCRIPTION

**SMA Straight Female Jack Edge Mount PC Board Receptacle**

CAGE CODE

**664U0**

SIGNATURE

X

THIS DRAWING INCLUDING THE  
 DESIGNS IS THE PROPERTY OF  
 KONNECT RF AND IS NOT TO  
 BE USED FOR ANY PURPOSE  
 WITHOUT OUR APPROVAL.

**Component**

Body  
 Center Contact  
 Insulator  
 Capture Bead  
 Transition Block  
 Grounding Plate  
 Threaded Clamping Plate  
 Launch Pin  
 Transition Block Dielectric

**Material**

Stainless Steel  
 BeCu  
 PTFE  
 PEI  
 Brass  
 Brass  
 Brass  
 BeCu  
 PTFE

**Plating/Finish**

Passivated  
 Gold  
  
 Nickel  
 Nickel  
 Nickel  
 Gold