

PART NUMBER

KCC189781

REV.

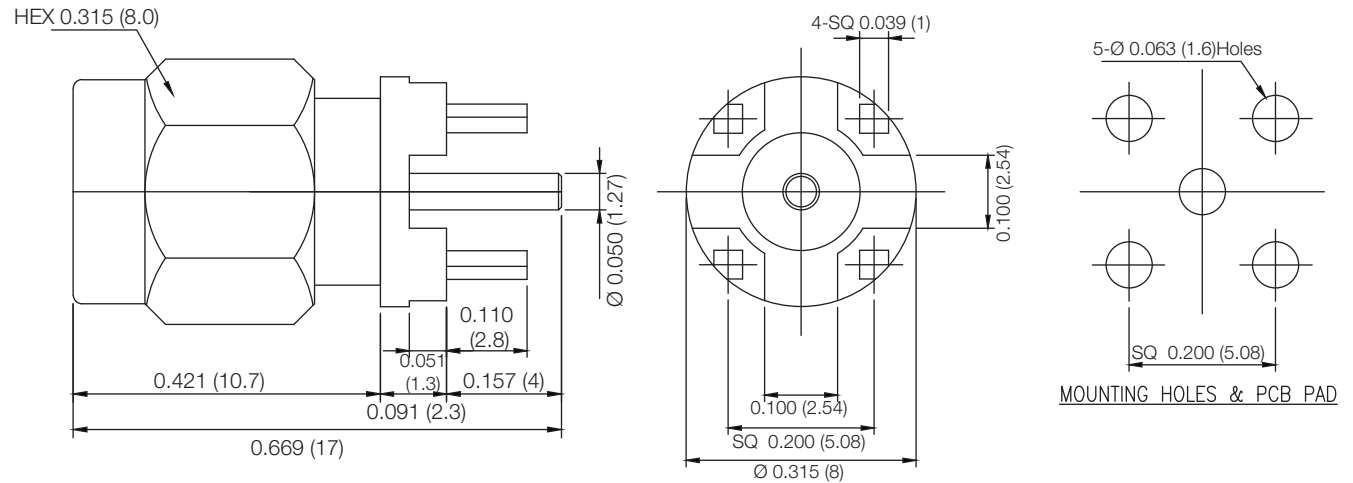
DATE

COMMENTS

INITIAL

Electrical Data

Impedance	50 Ω
Frequency Range	DC - 18 GHz.
Contact Resistance	$\leq 3m\Omega$
Working Voltage	335 VRMS max
Insulation Resistance	5,000 M Ω min
Dielectric Withstanding Voltage	1,000 VRMS

RoHS Compliant

Drawing not to scale. Dimensions for reference only

Units: inches (mm)

Konnnect RF

WWW.KONNECTRF.COM
1-800-790-5887

PART NUMBER

KCC189781

DESCRIPTION

**SMA Straight Male Plug Surface Mount
PC Board Receptacle, 4 Leg Standoff**

CAGE CODE

664U0

SIGNATURE

X

THIS DRAWING INCLUDING THE
DESIGNS IS THE PROPERTY OF
KONNECT RF AND IS NOT TO
BE USED FOR ANY PURPOSE
WITHOUT OUR APPROVAL.

Component
Body
Center Contact
Insulator

Material
Brass
BeCu
PTFE

Plating
Gold
Gold