

PART NUMBER

KCC189777

REV.

DATE

COMMENTS

INITIAL

A

07/10/2019

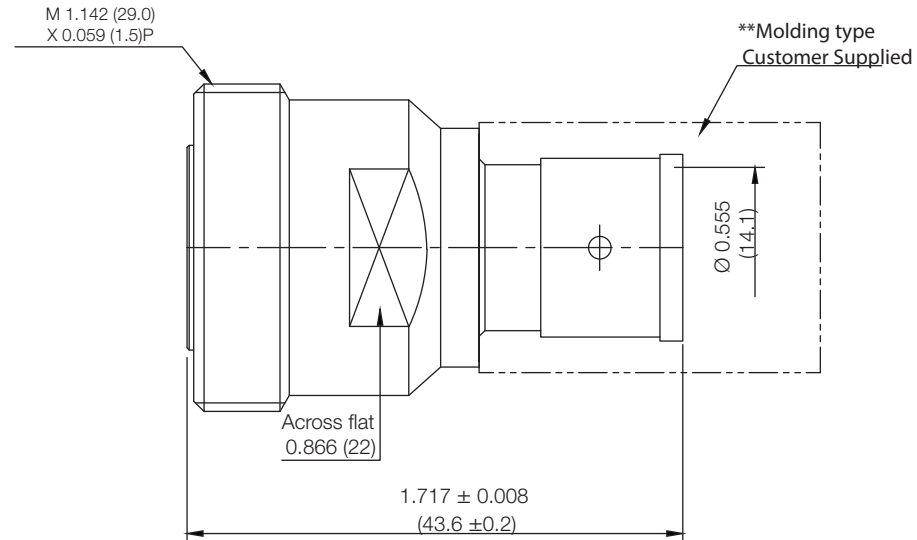
Finalized Dimensions Based on Production

*MP***Electrical Data**

Impedance	50 Ω
Frequency Range	DC - 3 GHz.
Insertion Loss	0.1 dB max
Working Voltage	1,000 VRMS
Insulation Resistance	5,000 MΩ
Dielectric Withstanding Voltage	2,500 VRMS
VSWR	1.20 @ 3GHz Max

RoHS Compliant**Mechanical Data**

Durability	500 Matings
Temperature Range:	-40 °C - 125 °C
Passivae inter-Modulation	(2x20W)-155dBc



Drawing not to scale. Dimensions for reference only

Units: inches (mm)

Konnect RF

WWW.KONNECTRF.COM
1-800-790-5887

PART NUMBER

KCC189777

DESCRIPTION

7/16 DIN Straight Female Jack

CAGE CODE

664U0

SIGNATURE

X

THIS DRAWING INCLUDING THE
DESIGNS IS THE PROPERTY OF
KONNECT RF AND IS NOT TO
BE USED FOR ANY PURPOSE
WITHOUT OUR APPROVAL.

Cable Types: 1/2" Flex Cable**Component**

Body
Outer Contact
Center Contact
Insulator

Material

Brass
Brass
BeCu
PTFE

Plating

White Bronze
White Bronze
Silver