

PART NUMBER

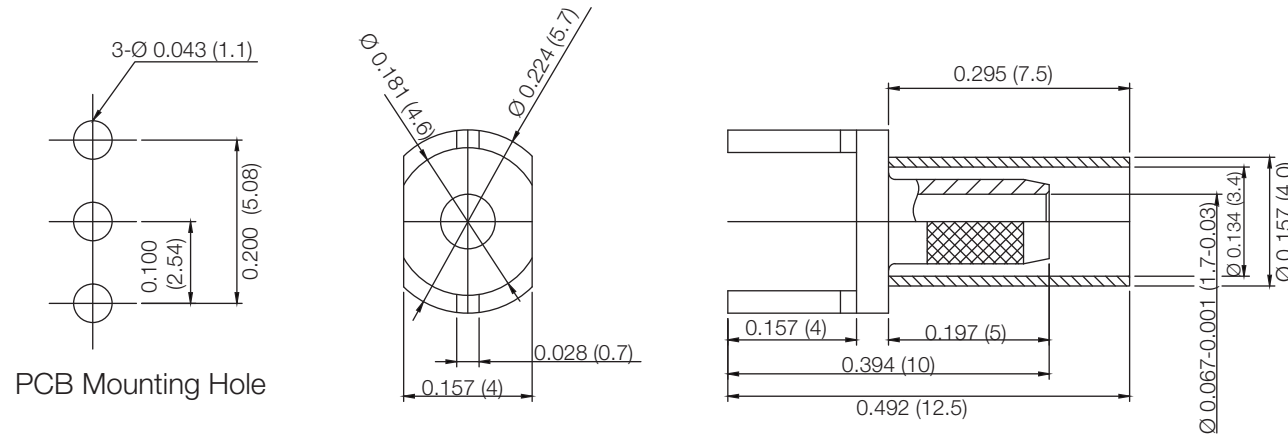
KCC189735

REV.

DATE

COMMENTS

INITIAL

Electrical DataImpedance 50 Ω **RoHS Compliant**

VSWR and Frequency Range Specifications
are for reference and are dependant on cable
type and other application specific conditions

Drawing not to scale. Dimensions for reference only

Units: inches (mm)

Konnect RF

WWW.KONNECTRF.COM
1-800-790-5887

PART NUMBER

KCC189735

DESCRIPTION

Cable Termination, Straight 3 Leg PCB Mount, Crimp

CAGE CODE

664U0

SIGNATURE

X

THIS DRAWING INCLUDING THE
DESIGNS IS THE PROPERTY OF
KONNECT RF AND IS NOT TO
BE USED FOR ANY PURPOSE
WITHOUT OUR APPROVAL.

Cable Types: RG-316D**Component**Body
Ferrule**Material**Brass
Brass**Plating**Gold
Gold