

PART NUMBER

KCC189731

REV.

DATE

COMMENTS

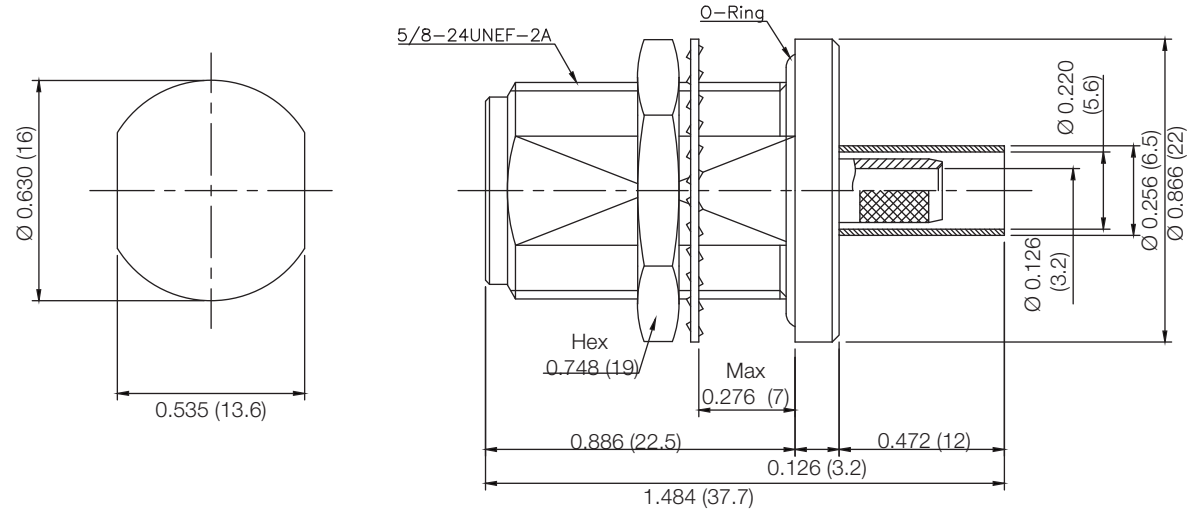
INITIAL

Electrical Data

Impedance 50 Ω
 Frequency Range DC - 11 GHz.
 Working Voltage 1,000 VRMS
 VSWR 1.20 max @ 6.0GHz

RoHS Compliant**Mechanical Data**

Temperature Range: -45 °C - 125 °C



VSWR and Frequency Range Specifications
 are for reference and are dependant on cable
 type and other application specific conditions

Drawing not to scale. Dimensions for reference only

Units: inches (mm)

Konnect RF

WWW.KONNECTRF.COM
 1-800-790-5887

PART NUMBER

KCC189731

DESCRIPTION

N Straight Female Jack, Bulkhead Rear Mount, O-Ring Seal, Crimp

CAGE CODE

664U0

SIGNATURE

X

THIS DRAWING INCLUDING THE
 DESIGNS IS THE PROPERTY OF
 KONNECT RF AND IS NOT TO
 BE USED FOR ANY PURPOSE
 WITHOUT OUR APPROVAL.

Cable Types: LMR-200**Component**

Body, Nut & Washer
 Center Contact
 Ferrule
 Seal
 Insulator

Material

Brass
 BeCu
 Brass
 Silicon Rubber
 PTFE

Plating

Nickel
 Gold
 Nickel