

PART NUMBER

KCC189723

REV.

DATE

COMMENTS

INITIAL

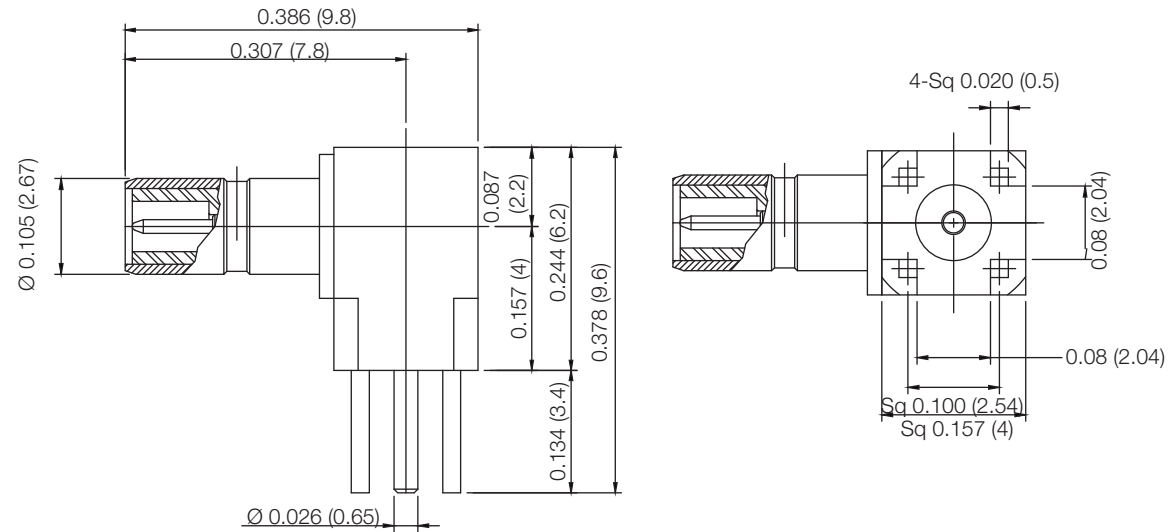
Electrical Data

Impedance 50 Ω
 Frequency Range DC - 12.4 GHz.
 Working Voltage 250 VRMS Max
 Insulation Resistance 1,000 M Ω Min
 Dielectric Withstanding Voltage 750V Min
 VSWR 1.20+0.03xF(GHz)

Mechanical Data

Temperature Range: -45 °C - 125 °C

RoHS Compliant



Drawing not to scale. Dimensions for reference only

Units: inches (mm)

Konnect RF

WWW.KONNECTRF.COM
 1-800-790-5887

PART NUMBER

KCC189723

DESCRIPTION

SSMB Right Angle Male Jack 4 Leg PC Board Receptacle

CAGE CODE

664U0

SIGNATURE

X

THIS DRAWING INCLUDING THE
 DESIGNS IS THE PROPERTY OF
 KONNECT RF AND IS NOT TO
 BE USED FOR ANY PURPOSE
 WITHOUT OUR APPROVAL.

Component

Body & Cap
 Center Contact
 Outer Contact
 Outer Ring
 Insulator

Material

Brass
 BeCu
 Brass
 BeCu
 PTFE

Plating

Gold
 Gold
 Gold
 Gold