

PART NUMBER

**KCC189708**

REV.

DATE

COMMENTS

INITIAL

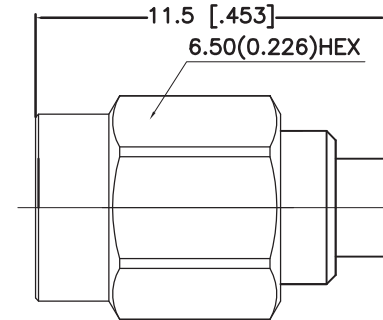
**Electrical Data**

Impedance 50  $\Omega$   
 Frequency Range DC - 40 GHz.  
 Insertion Loss 0.05 $\sqrt{\text{Frequency}}$   
 Dielectric Withstanding Voltage 1,000V Max @ Sea Level  
 VSWR  $\leq 1.45$

RoHS Compliant

**Mechanical Data**

Temperature Range: -55 °C - 125 °C



Drawing not to scale. Dimensions for reference only

Units: mm (inches)

WWW.KONNECTRF.COM  
 1-800-790-5887

PART NUMBER

**KCC189708**

DESCRIPTION

**SSMA Straight Male Plug, Solder**

CAGE CODE

**664U0**

SIGNATURE

X

**Cable Type:** .085 S/R (RG-405)**Component**

Body  
 Nut  
 Center Contact  
 Insulator

**Material**

Brass  
 Stainless Steel  
 BeCu  
 PEI

**Plating/Finish**

Gold  
 Passivated  
 Gold

THIS DRAWING INCLUDING THE  
 DESIGNS IS THE PROPERTY OF  
 KONNECT RF AND IS NOT TO  
 BE USED FOR ANY PURPOSE  
 WITHOUT OUR APPROVAL.