

PART NUMBER

KCC189696

REV.

DATE

COMMENTS

INITIAL

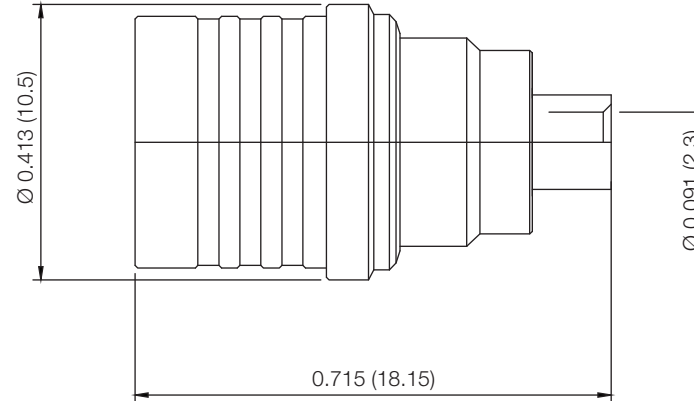
Electrical Data

Impedance 50 Ω
 Frequency Range DC - 6 GHz.
 Insulation Resistance 5,000 M Ω Min

RoHS Compliant

Mechanical Data

Temperature Range: -45 °C - 125 °C
 PIMD -160 dBc (2x20 Watts)



VSWR and Frequency Range Specifications are for reference and are dependant on cable type and other application specific conditions

Drawing not to scale. Dimensions for reference only

Units: inches (mm)

Konnect RF

WWW.KONNECTRF.COM
 1-800-790-5887

PART NUMBER

KCC189696

DESCRIPTION

QMA Straight Male Plug, Solder, Low Pim

CAGE CODE

664U0

SIGNATURE

X

THIS DRAWING INCLUDING THE DESIGNS IS THE PROPERTY OF KONNECT RF AND IS NOT TO BE USED FOR ANY PURPOSE WITHOUT OUR APPROVAL.

Cable Type: .085 S/R (RG-405)**Component**

Body & Coupling Nut
 Center Contact
 Outer Contact
 Insulator

Material

Brass
 Brass
 BeCu
 PTFE

Plating

White Bronze
 Silver
 White Bronze