

PART NUMBER

KCC189695

REV.

DATE

COMMENTS

INITIAL

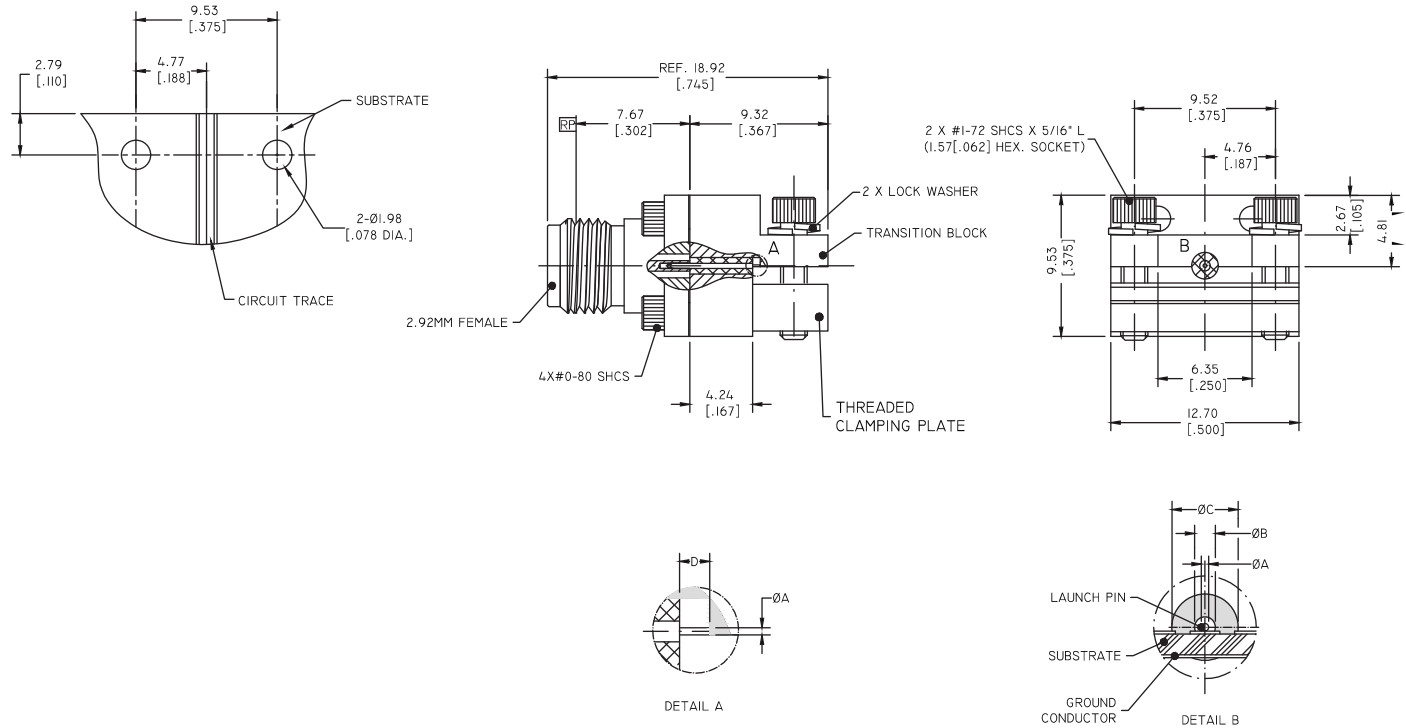
Electrical Data

Impedance 50Ω
 Frequency Range DC - 40 GHz.

Mechanical Data

Temperature Range: -55 °C - 125 °C

Ø A	Ø B	Ø C	D
0.25 [.010]	0.51 [.020]	1.61 [.0635]	1.27 [.050]



RoHS Compliant

Drawing not to scale. Dimensions for reference only

Units: mm (inches)

Konnnect RF

WWW.KONNECTRF.COM
 1-800-790-5887

PART NUMBER

KCC189695

DESCRIPTION

2.92 Straight Female Jack Edge Mount PC Board Receptacle, Low Profile

CAGE CODE

664U0

SIGNATURE

X

THIS DRAWING INCLUDING THE DESIGNS IS THE PROPERTY OF KONNECT RF AND IS NOT TO BE USED FOR ANY PURPOSE WITHOUT OUR APPROVAL.

Component

Body
 Center Contact
 Insulator
 Transition Block
 Threaded Clamping Plate
 Launch Pin
 Transition Block Dielectric

Material

Stainless Steel
 BeCu
 PEI
 Brass
 Brass
 BeCu
 PTFE

Plating/Finish

Passivated
 Gold
 Nickel
 Nickel
 Gold