

PART NUMBER

KCC189685

REV.

DATE

COMMENTS

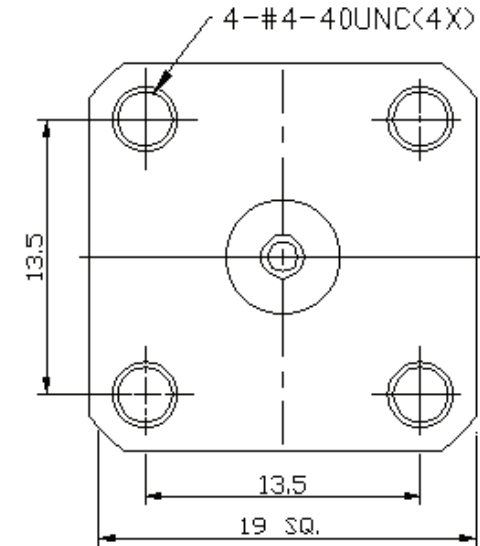
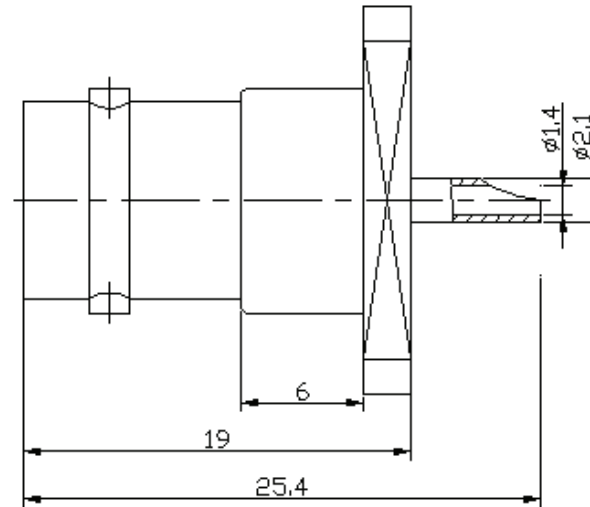
INITIAL

Electrical Data

Impedance	50 Ω
Frequency Range	DC - 4 GHz.
Working Voltage	$\leq 500V$ RMS, 50Hz, at sea level
Contact Resistance	
Center	≤ 1.5 m Ω
Outer	≤ 1.0 m Ω
Dielectric Resistance	$\geq 5,000M\Omega$
Dielectric Withstanding Voltage	$\geq 1,500V$ RMS, 50Hz, at sea level
VSWR	≤ 1.20 @DC-3000MHz

Mechanical Data

Durability	≥ 500 Cycles Min.
Temperature Range:	-45 $^{\circ}C$ - 125 $^{\circ}C$

**RoHS Compliant**

Drawing not to scale. Dimensions for reference only

Units: mm

Konnect RF

WWW.KONNECTRF.COM
1-800-790-5887

PART NUMBER

KCC189685

DESCRIPTION

**BNC Straight Female Jack Receptacle,
4 Hole Flange Mount , Solder Pot**

CAGE CODE

664U0

SIGNATURE

X

THIS DRAWING INCLUDING THE
DESIGNS IS THE PROPERTY OF
KONNECT RF AND IS NOT TO
BE USED FOR ANY PURPOSE
WITHOUT OUR APPROVAL.

Component
Body
Center Contact
Insulator

Material
Brass
Phos. Bronze
PTFE

Plating
Nickel
Gold