

PART NUMBER

KCC189671

REV.

DATE

COMMENTS

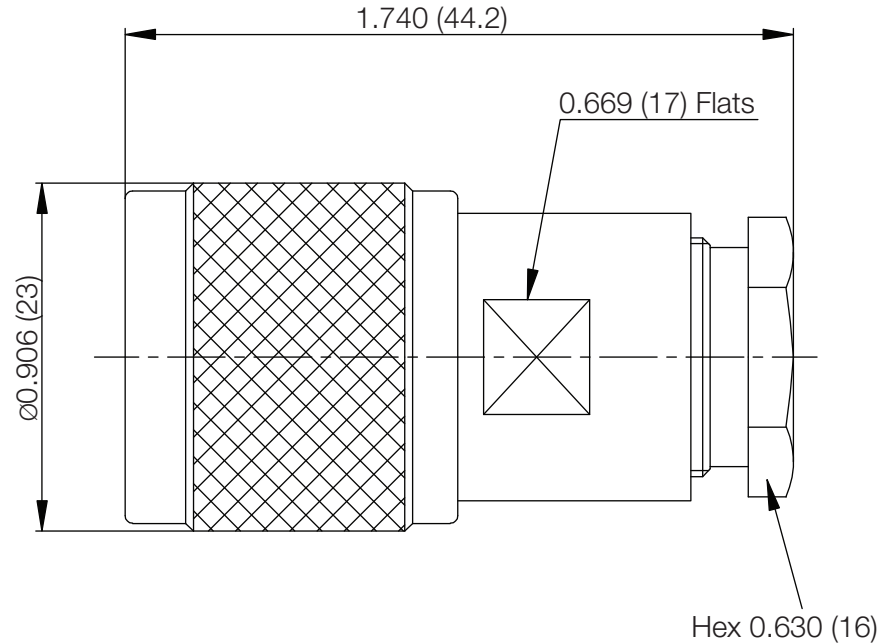
INITIAL

Electrical Data

Impedance 50 Ω
 Frequency Range DC - 4 GHz.
 Insertion Loss 0.25 dB max
 Insulation Resistance 5,000 M Ω MIN
 Dielectric Withstanding Voltage 1,000 max @ Sea level

RoHS Compliant**Mechanical Data**

Temperature Range: -65 °C - 165 °C



VSWR and Frequency Range Specifications are for reference and are dependant on cable type and other application specific conditions

Drawing not to scale. Dimensions for reference only

Units: inches (mm)

WWW.KONNECTRF.COM
1-800-790-5887

PART NUMBER

KCC189671

DESCRIPTION

HN Straight Male Plug, Clamp

CAGE CODE

664U0

SIGNATURE

X

Cable Types: RG-213

Component
 Body & Nut
 Center Contact
 Insulator

Material
 Brass
 BeCu
 PTFE

Plating
 Nickel
 Gold

THIS DRAWING INCLUDING THE DESIGNS IS THE PROPERTY OF KONNECT RF AND IS NOT TO BE USED FOR ANY PURPOSE WITHOUT OUR APPROVAL.