

PART NUMBER

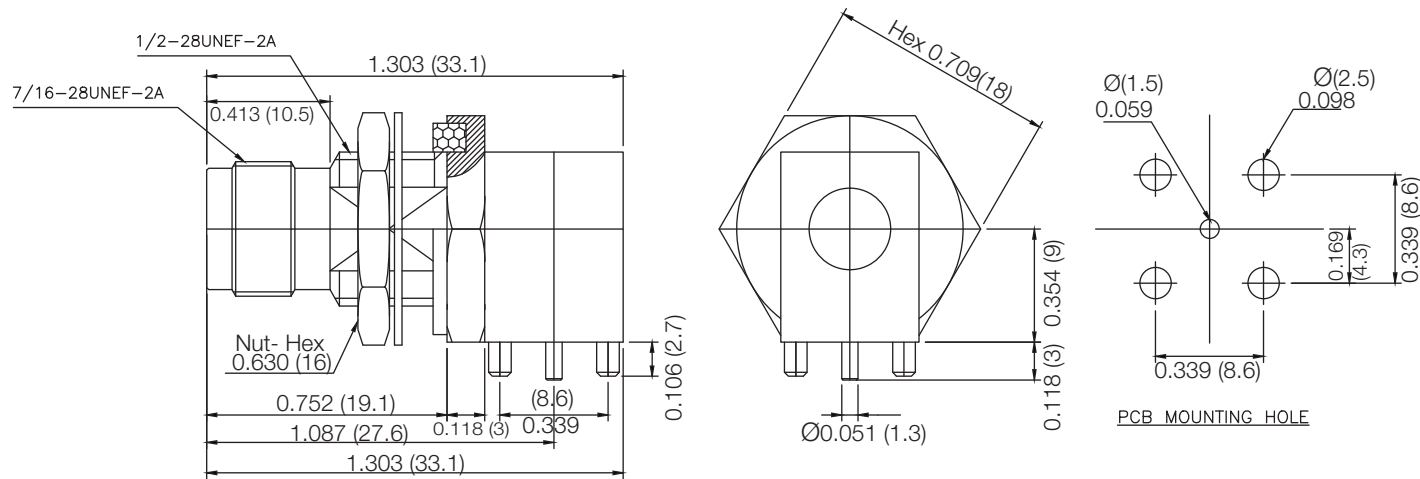
**KCC189616**

REV.

DATE

COMMENTS

INITIAL

**Electrical Data****RoHS Compliant**Impedance 50  $\Omega$ 

Drawing not to scale. Dimensions for reference only

Units: inches (mm)

**Konnnect RF**WWW.KONNECTRF.COM  
1-800-790-5887

PART NUMBER

**KCC189616**

DESCRIPTION

**TNC Right Angle Female Jack 4 Leg PC Board Receptacle,  
Bulkhead Rear Mount**

CAGE CODE

**664U0**

SIGNATURE

X

THIS DRAWING INCLUDING THE  
DESIGNS IS THE PROPERTY OF  
KONNECT RF AND IS NOT TO  
BE USED FOR ANY PURPOSE  
WITHOUT OUR APPROVAL.**Component**Body  
Center Contact  
Gasket  
Insulator**Material**Brass  
BeCu  
Silicone Rubber  
PTFE**Plating**Nickel  
Gold